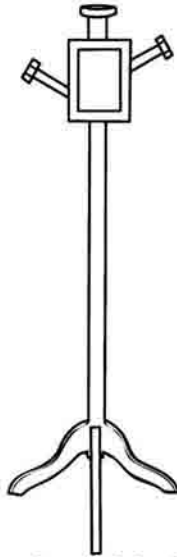
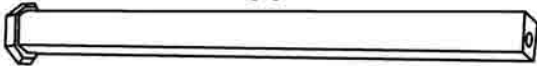

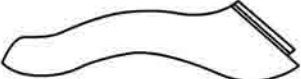

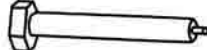
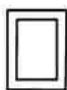
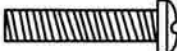
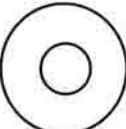



# ASSEMBLY INSTRUCTIONS

## FOR YOUR CLOTHESTAND



(Your clotheshstand's shape may be slightly different the drawing above.)

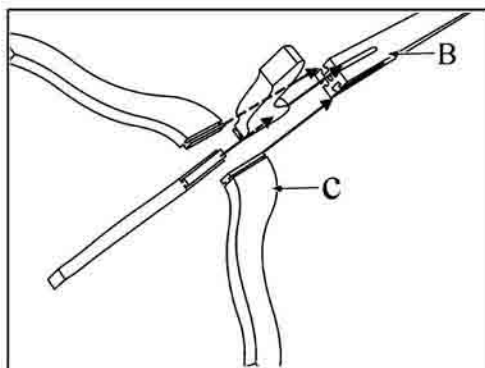
<p style="text-align: center;"><b>A. Top pole</b></p>  <p style="text-align: center;">Your clotheshstand's shape be slightly different the drawing above.</p> <p style="text-align: center;"><b>B. Bottom pole</b></p>  <p style="text-align: center;">Your clotheshstand's shape may be slightly different the drawing above.</p> <p><b>C. Leg (4 pcs)</b></p>  <p><b>E. Bottom knob</b></p>  <p><b>D. Hanger (3 pcs)</b></p>  <p style="text-align: center;">Your clotheshstand's shape may be slightly different the drawing above.</p> <p><b>F. Photo frame</b></p> 	<p style="text-align: center;">(shown actual size)</p> <p><b>G. Screw (1 pc)</b> Length: 1"</p>  <p><b>H. Washer (1 pc)</b> Outer diameter: 3/4"</p>  <p><b>I. Spring washer (1 pc)</b> Outer diameter: 9/16"</p> 
---	--



### WARNING:

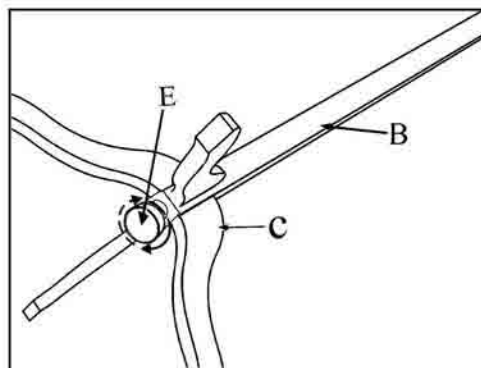
Products shall be assembled by adult. Product contains sharp point, sharp edge and small parts before assembled. Keep out of child's reach when products unassembled. Do not hang any item weighing more than 30 pounds on any one hanger.

**Fig. 1 Attach 4 Legs (C) to Bottom pole (B)**



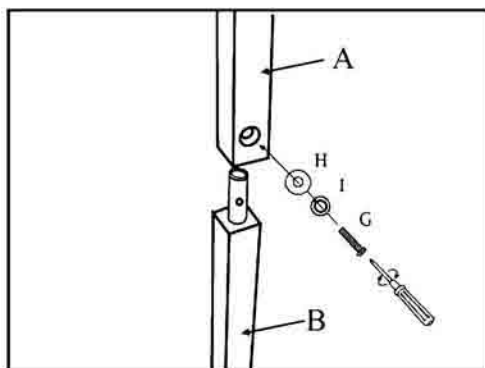
-Slide each of the 4 legs into the slots at the bottom of the pole (B)  
(NOTE: Please make sure that you slide the legs vertically to prevent damage to the legs)

**Fig. 2 Attach Bottom knob (E) to Bottom pole (B)**



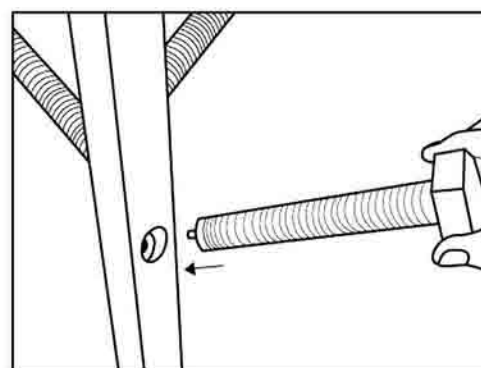
-Screw Bottom knob (E) into Bottom pole (B) until tight

**Fig. 3 Attach Top pole (A) to Bottom pole (B)**



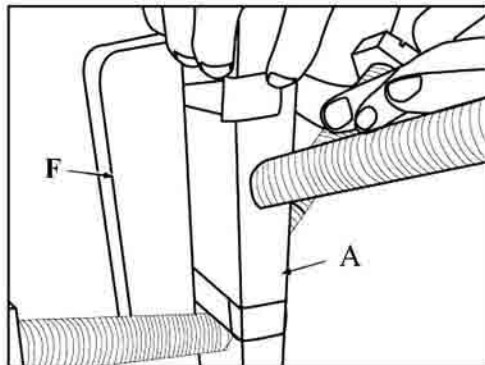
-Insert Top pole (A) to Bottom pole (B)  
-Put Washer (H), Spring washer (I), and Screw (G) in sequence into the pre-drilled holes and screw them in with Philips head screwdriver until secure

**Fig. 4 Attach Hanger (D) to Top pole (A)**



-Screw 3 hangers (D) into Top pole (A) until tight

**Fig. 5 Attach Photo frame (F) to Top pole (A)**



-Secure Photo frame (F) with velcro strips to the back of Top pole (A)

Finally, please check that all parts are tightened securely but **do not overtighten**.  
Your All-Star Sports ClotheStand should now be ready to use. Enjoy!

Please visit our website and discover all our other innovative and fun products for kids at:  
[www.levelsofdiscovery.com](http://www.levelsofdiscovery.com)

All-Star Sports ClotheStand  
©2004 Levels of Discovery LLC  
Roselle, Illinois 60172  
Made in China  
Printed in China