

ASSEMBLY INSTRUCTIONS

FOR YOUR

FIRE FIGHTER TABLE/STOOLS SET

Thank you for your purchase of the Table and Stools set . We know that it will bring you and your little one years of enjoyment. **PLEASE READ ALL INSTRUCTIONS THOROUGHLY BEFORE BEGINNING ASSEMBLY.**

General Safety Instructions:

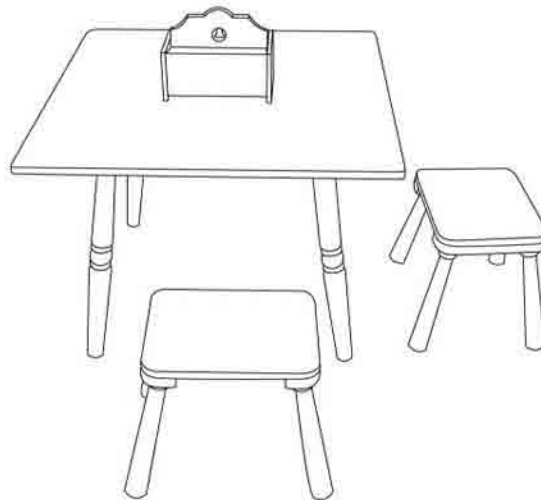
- Your table and stool set is safety tested (table for all ages, stools for 36~96 months).
- However, it is recommended that caution be used at all times.
- Stools are recommended for children up to 100 lbs.

What tools you will need?

- Standard Philips head screwdriver. CAUTION: It is highly recommended that you not use power tools or electric screwdrivers as screws should not be over-tightened. Power/electric tools may strip either the screw or the receiving end of the screw.



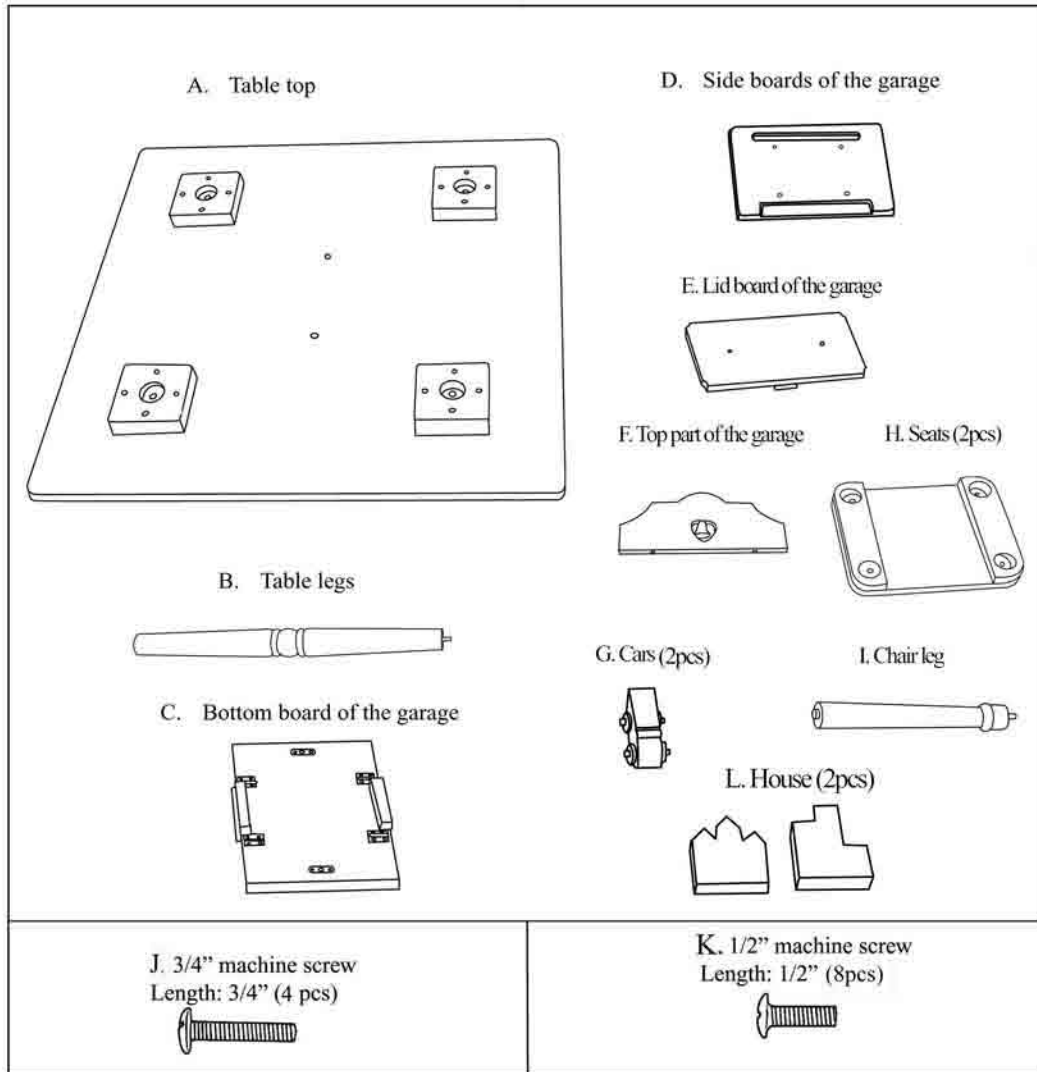
Products shall be assembled by adult. Product contains sharp point, sharp edge and small parts before assembled. Keep out of child's reach when products unassembled.



Contact us at:
www.levelsofdiscovery.com

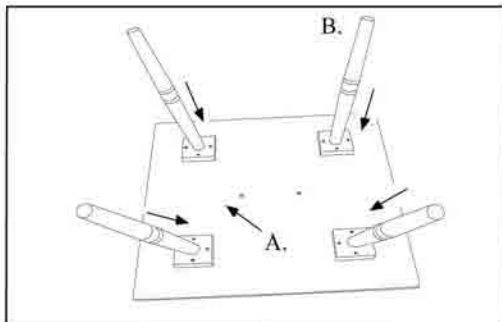
Table and Stools Set
© 2005 Levels of Discovery LLC
Roselle, Illinois 60172

Made in China
Printed in China



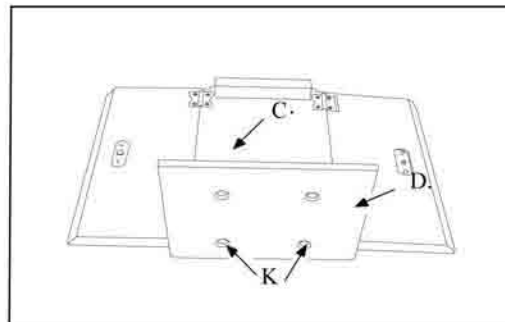
Step 1:

-Turn the Table legs (B) into the Table top (A)



Step 2:

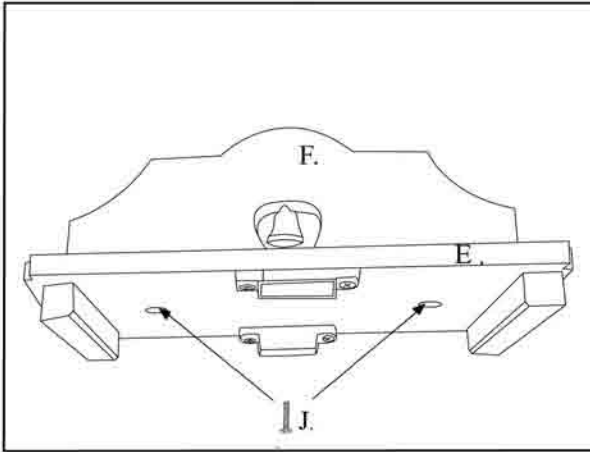
- Set the Side board of the garage (D) on the Bottom board of the garage (C)



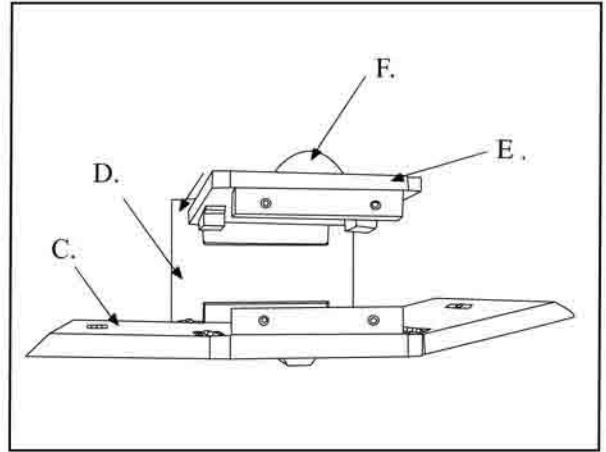
- Insert the screw (K) into the hole in the Side board of the garage (D) and the Bottom board of the garage (C)
- Secure the screw with a Philips head screw driver until tight

Step 3:

- Put the Top part of the garage (F) on the Lid board of the garage (E).
- Insert the Screws (J) in the holes of the Lid board of the garage (E) and the Top part of the garage (F).
- Secure the screws with a Philips head screw driver until tight.

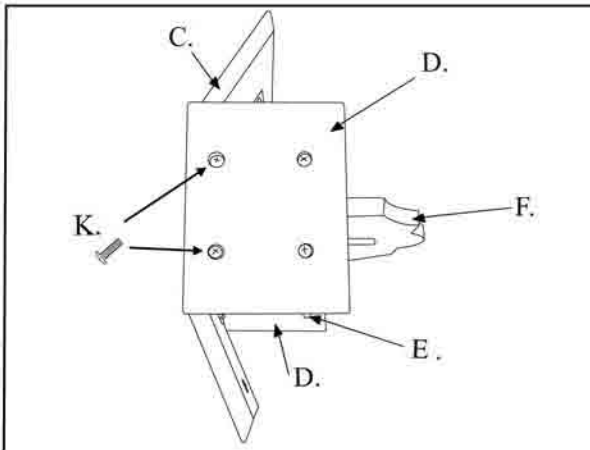


Step 4: Insert the Lid board of the garage (E) in the slot of the Side board of the garage (D)



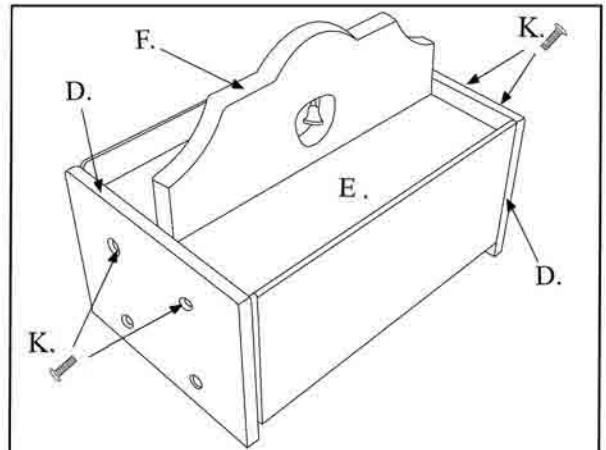
Step 5:

- Put the other Side board of the garage (D) on the sides of the Bottom board of the garage (C) and the Lid board of the garage (E).
- Insert the Screws (K) in the holes of the Side board of the garage (D) and the Bottom board of the garage (C).
- Secure the screws with a Philips head screw driver until tight.



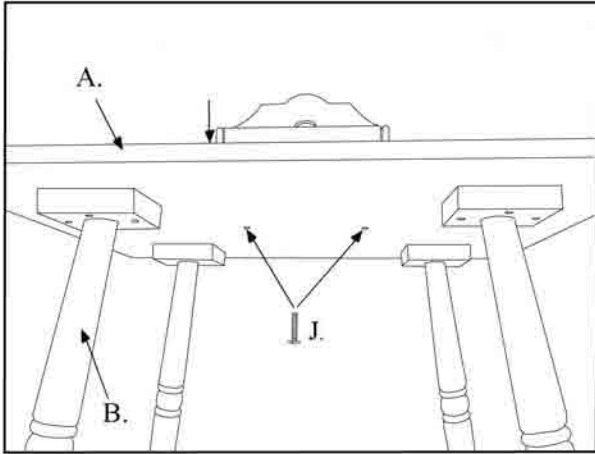
Step 6:

- Insert the screws (K) in the holes of the Side board of the garage (D) and the Lid board of the garage (E)
- Secure the screws with a Philips head screw driver until tight.

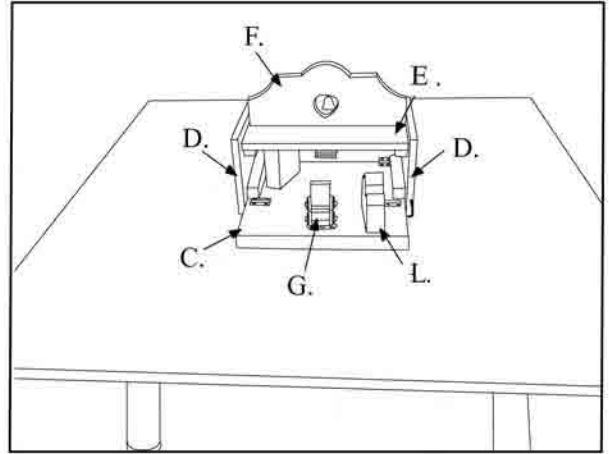


Step 7:

- Put the well-assembled garage on the Table top (A).
- Insert the screws (J) in the holes of the garage and the Table top (A).
- Secure the screws with a Philips head screw driver until tight.

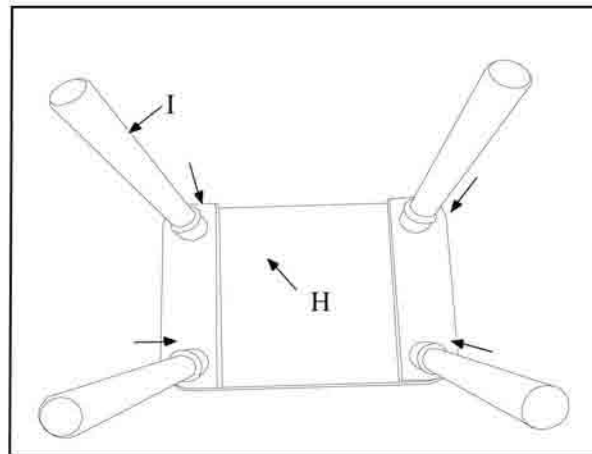


Step 8: Put the Car (G) and the House (L) in the garage.



Step 9:

- Turn the Stool leg (I) into the Seat board (H)



Finally, please check that all parts are tightened securely but **do not overtighten**.

Your Table and Stools Set should now be ready to use. Enjoy!