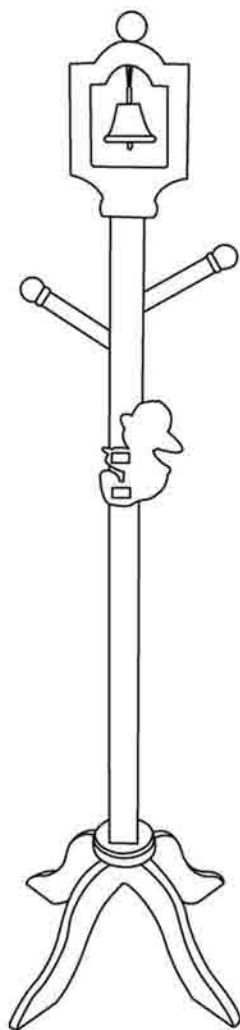


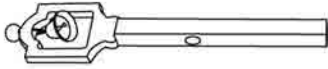
**ASSEMBLY INSTRUCTIONS
FOR YOUR
FIRE FIGHTER CLOTHESTAND**



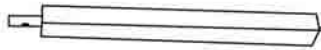
WARNING:

Products shall be assembled by adult. Product contains sharp point, sharp edge and small parts before assembled. Keep out of child's reach when products unassembled. Do not hang any item weighing more than 30 pounds on any one hanger.:

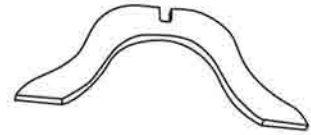
A. Top pole



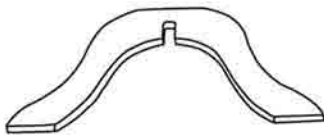
B. Bottom pole



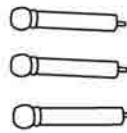
C. Lower leg



D. Upper leg



E. Hanger (3pcs)



F. Wood spacer



N.Round Wood



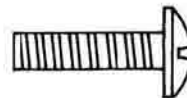
G.Little firefighter



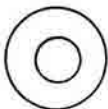
(Shown actual size)



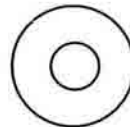
H. Short screw
Length 1", Dia. 1/4" (2pcs)



K. Screw
Length: 1"
Dia. 5/16" (1pcs)



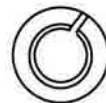
I. Small washer outer
Dia. 5/8" (2pcs)



L. Medium washer
Outer Dia. 3/4" (1pcs)



J. Small Spring washer
Outer Dia. 3/8" (2pcs)



M. Medium Spring washer
Outer Dia. 9/16" (1pcs)

Fig.1

-Set the leg (D) into the lower leg (C)

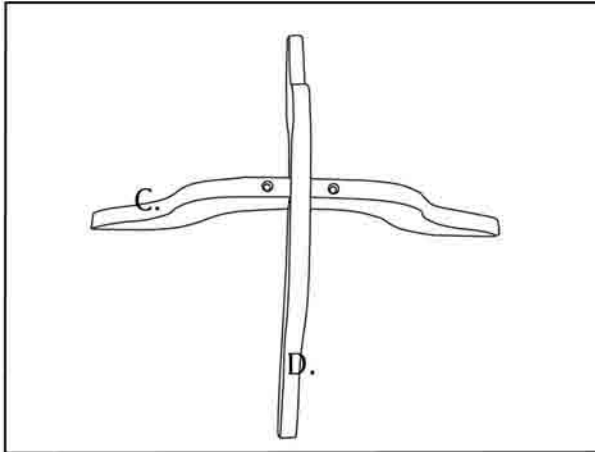


Fig.2

-Put the Wooden Spacer (F) on the Lower leg (C)
-Insert the Short screws(H) through the small Spring washers (J) and Small washer (I) in the holes of the Wooden Spacer (F) and the Lower leg (C)
-Secure the screws with a Philips head screw driver until tight.

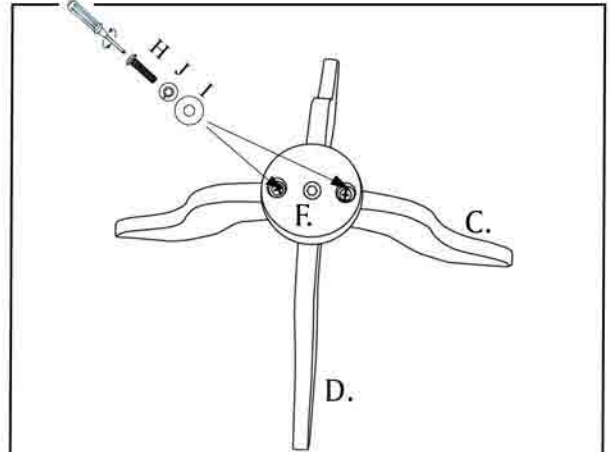


Fig.3

-Insert the Bottom pole (B) in the Wood Spacer (F) and turn tight. Insert Round wood (N) downward to the bottom of Bottom pole(B)

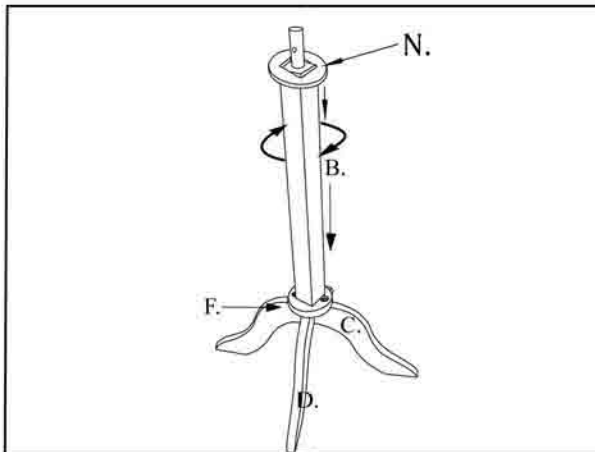


Fig.4

-Set the Top pole (A) in the Bottom pole (B)
-Insert the Short screw (K) through the small Spring washer (M) and the Medium Washer (L) in the holes of the Top pole (A) and the Bottom pole (B).
-Secure the screw with a Philips head screw driver until tight.

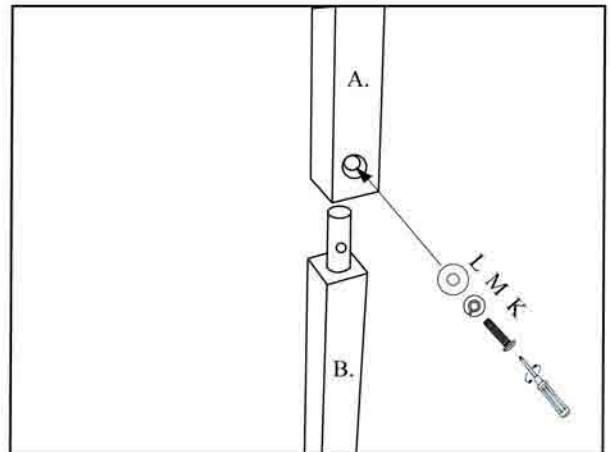


Fig.5

-Insert 3 hangers (E) into top pole (A) and hand-screw until tight.

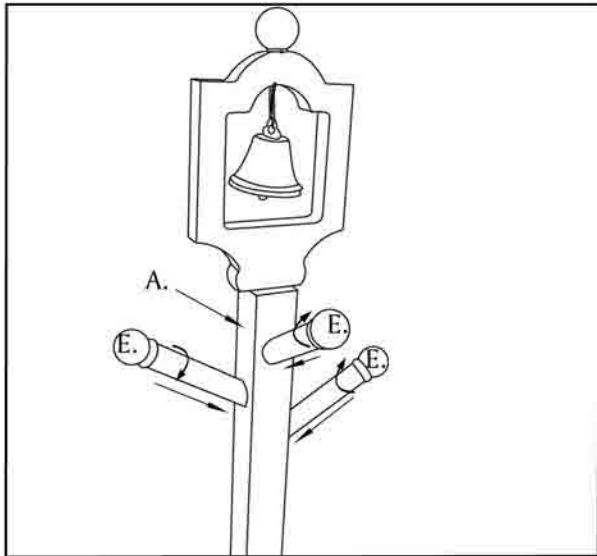
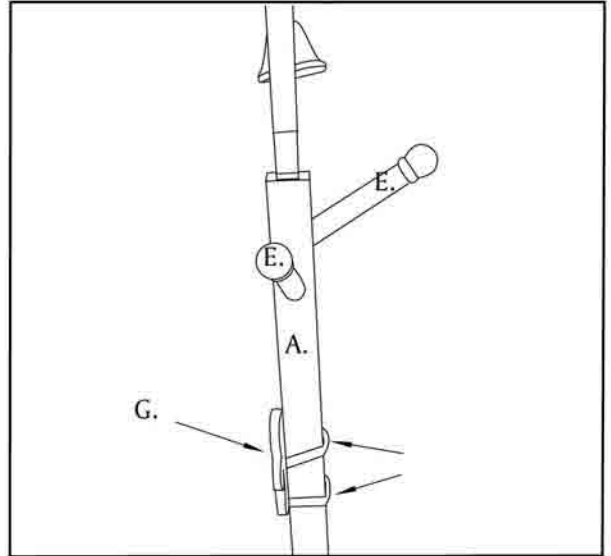


Fig.6

- Attach the Little firefighter (G) to the Top pole (A) and fix it by Velcro strips.



Finally, please check that all parts are tightened securely but **do not overtighten**.
Your Angel ClotheStand / Growth Chart should now be ready to use. Enjoy!

Please visit our website and discover all our
other innovative and fun products for kids at:

www.levelsofdiscovery.com

© 2005 Levels of Discovery LLC
Roselle, Illinois 60172
Made in China
Printed in China