

ASSEMBLY INSTRUCTIONS

FOR YOUR

ALL STAR REVOLVING BOOKCASE

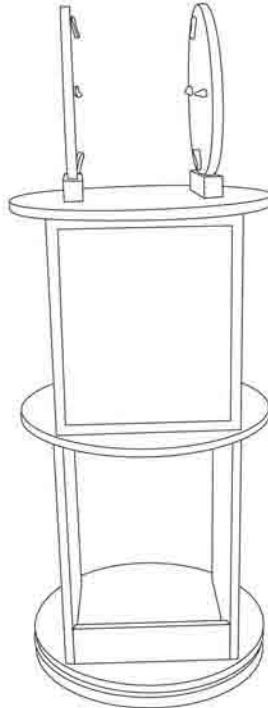
Thank you for your purchase of the All Star Revolving Bookcase.
We know that it will bring you and your little one years of enjoyment. **PLEASE READ ALL INSTRUCTIONS THOROUGHLY BEFORE BEGINNING ASSEMBLY.**

General Safety Instructions:

- Your All Star Revolving Bookcase is safety tested for all ages.
- However, it is recommended that caution be used at all times.
- Recommended weight capacity for this bookcase is up to 50 lbs.
- Must be assembled by an adult. Do not leave any spare parts near children.**

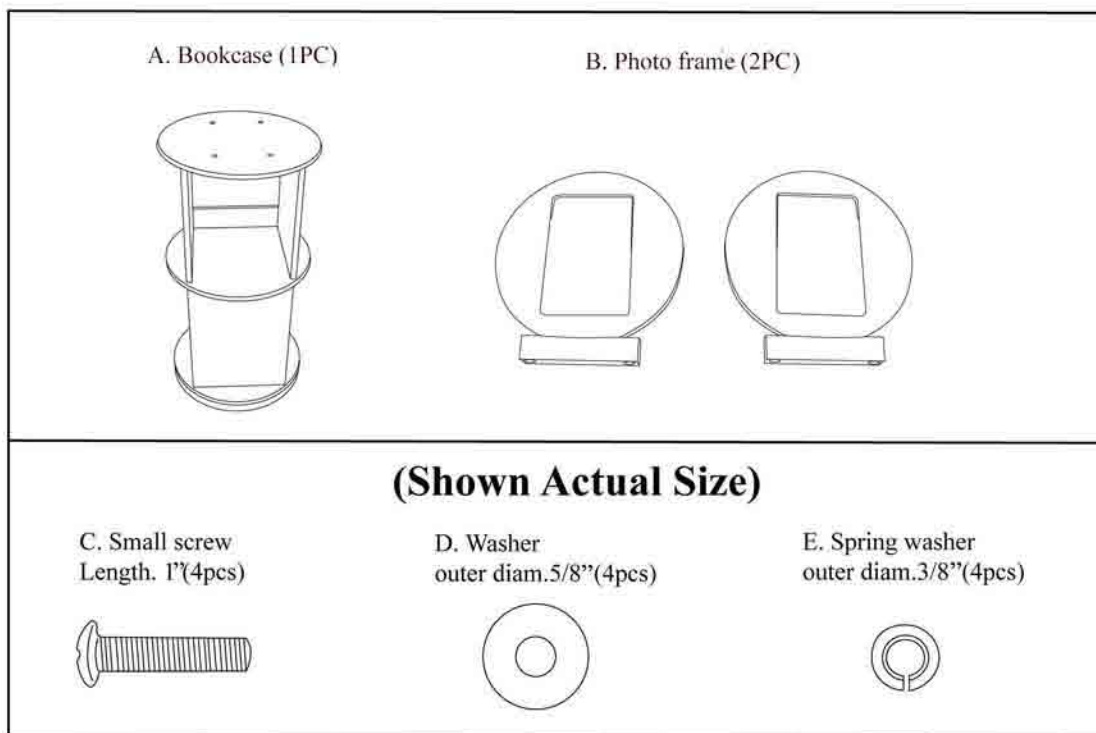
What tools will you need?

- Standard Philips head screwdriver. CAUTION: It is highly recommended that you not use power tools or electric screwdrivers as screws should not be over-tightened. Power/electric tools may strip either the screw or the receiving end of the screw.



WARNING:

Products shall be assembled by adult. Product contains sharp point, sharp edge and small parts before assembled. Keep out of child's reach when products unassembled.



To save time, we suggest that you organize and pre-assemble in the sequence shown in the Fig. Drawings all of the screws and their washers. (i.e. for Fig 3 put the G Spring washer and Small washer onto the F screw. Do this in advance of each step.)

Fig.1 Attach photo frame (B) to Revolving bookcase (A)

-Align the photo frame with the holes on the revolving bookcase

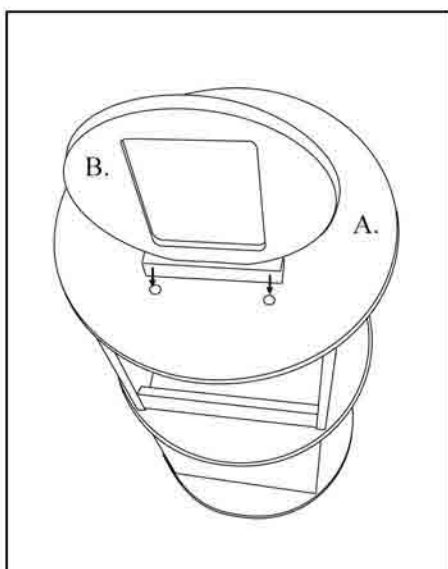


Fig.2 Attach photo frame (B) to revolving bookcase (A)

-Insert screw (C) through the Spring washer (E) and washer (D) in the holes on the revolving bookcase and photo frame
- Secure the screw (C) with a Philips head screw driver until tight

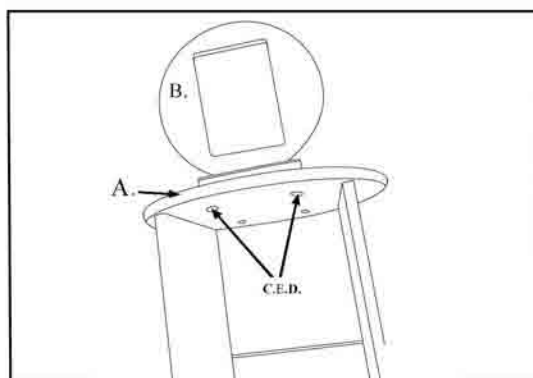


Fig.3 Please use the same way to assemble another frame

- Put the other frame on the other side of the bookcase
- Repeat the step as in Fig. 2 to complete the assembly

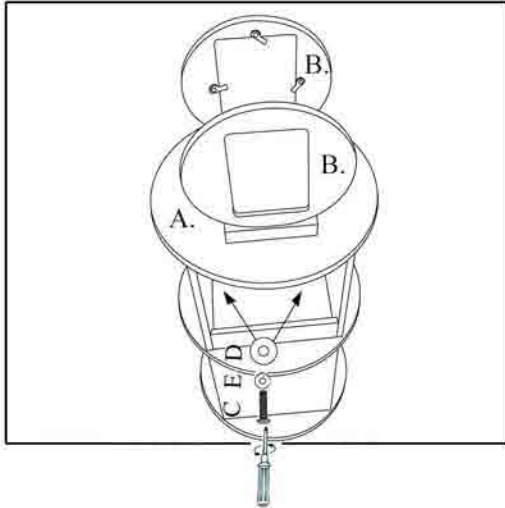
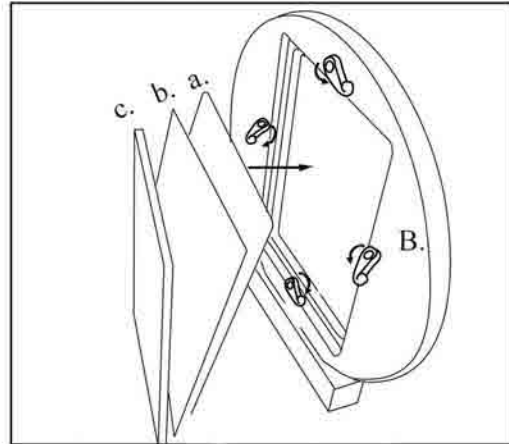


Fig.4 How to replace the photo

- Rotate the four picture frame holders and remove the wooden backer (c).
- Remove the included photo (b) and use this as a template to crop your own photo to the correct size.
- Insert your own properly sized photo and wooden backer then rotate the picture frame holders to lock the backer into place

Note: a. Clear Acetate Cover b. Included Photo
c. Wooden Backer



Finally, please check that all parts are tightened securely but **do not overtighten**.
Your All Star Revolving Bookcase should now be ready to use. Enjoy!

Please visit our website and discover all our other innovative and fun products for kids at:
www.levelsofdiscovery.com

All Star Revolving Bookcase

© 2007 Levels of Discovery LLC
Roselle, Illinois 60172
Made in China
Printed in China