

# ASSEMBLY INSTRUCTIONS

## FOR YOUR

### TABLE AND CHAIR SET

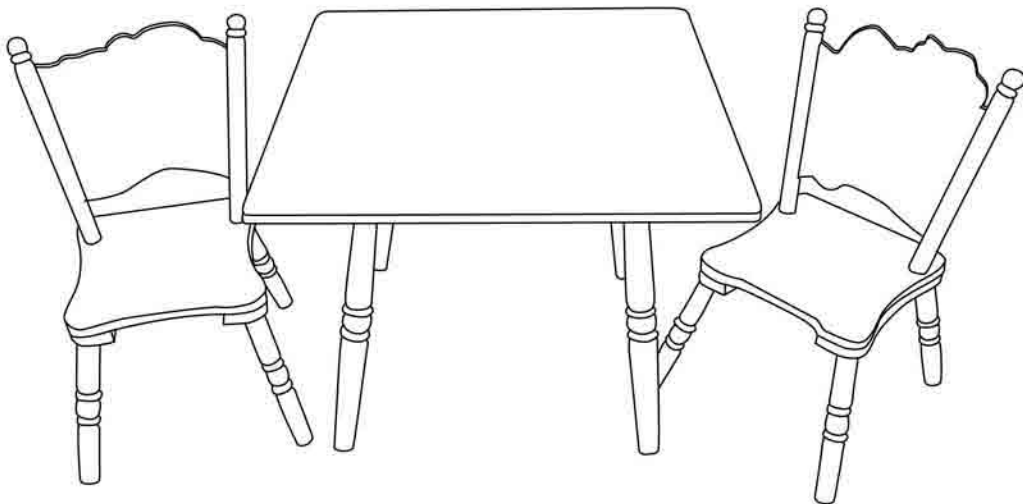
Thank you for your purchase of the Table and Chair set. We know that it will bring you and your little one years of enjoyment. **PLEASE READ ALL INSTRUCTIONS THOROUGHLY BEFORE BEGINNING ASSEMBLY.**

#### General Safety Instructions:

- Your table and chair set is safety tested for 18-96 months.
- However, it is recommended that caution be used at all times.
- Chairs are recommended for children up to 100lbs.

#### What tools you will need?

-Standard Philips head screwdriver. CAUTION: It is highly recommended that you not use power tools or electric screwdrivers as screws should not be over-tightened. Power/electric tools may strip either the screw or the receiving end of the screw.



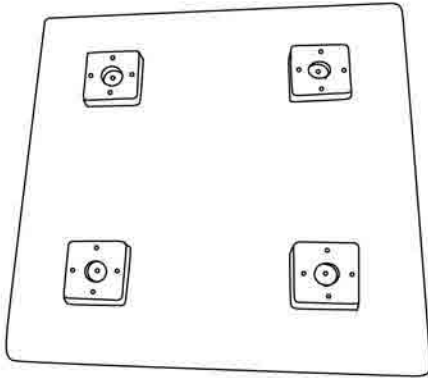
(Your chair's shape may be slightly different the drawing above)



#### **WARNING:**

Products shall be assembled by adult. Product contains sharp point, sharp edge and small parts before assembled. Keep out of child's reach when products unassembled.

A. Table Top



B. Table legs (4 pcs)

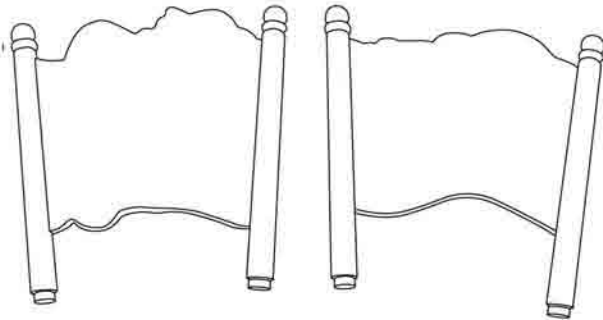


(Your shape may be slightly different)

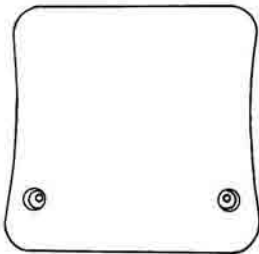
C. Chair legs (8 pcs)



E. Chair back (2 pcs)



D. Wooden seat (2 pcs)



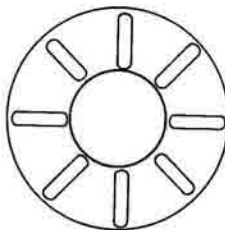
(Your chair's shape may be slightly different)

**(Shown Actual Size)**

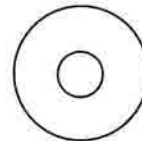
G. Large Machine Screws  
Length: 1-1/4" (4pcs)



F. Large Washers  
Outer diameter: 1-1/4" (4pcs)



I. Medium Washers  
Outer diameter: 3/4" (4pcs)



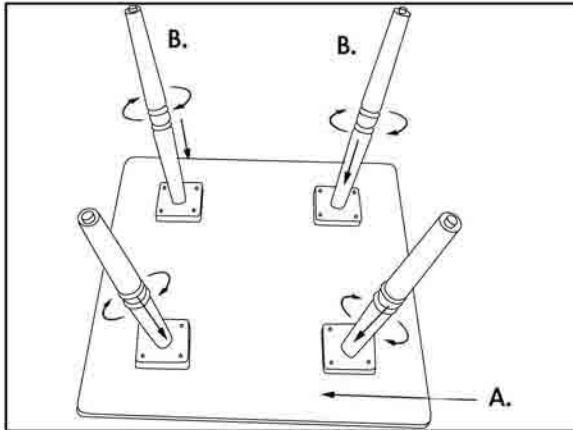
H. Spring Washers  
Outer diameter: 3/8" (4pcs)



## TABLE ASSEMBLY

**Fig. 1 Attach table legs (B) to table top (A)**

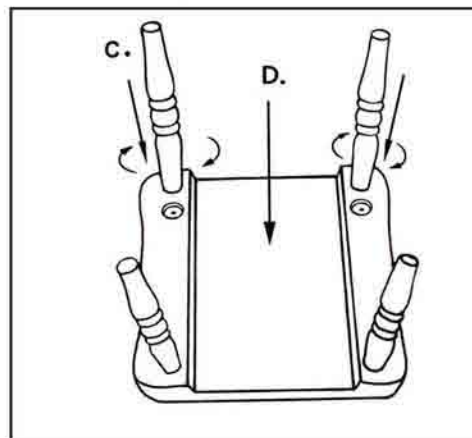
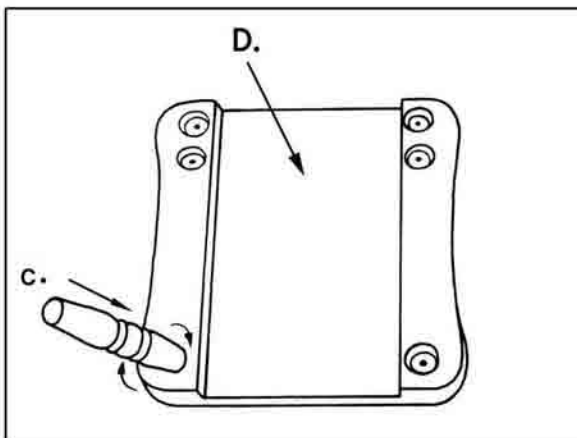
- Set the table top (A) upside down on a soft floor surface to avoid scratching.
- Insert each table leg (B) into one of the four holes on the bottom of the table and screw in until secure.
- Make sure legs are secure but not overtightened.



## CHAIR ASSEMBLY

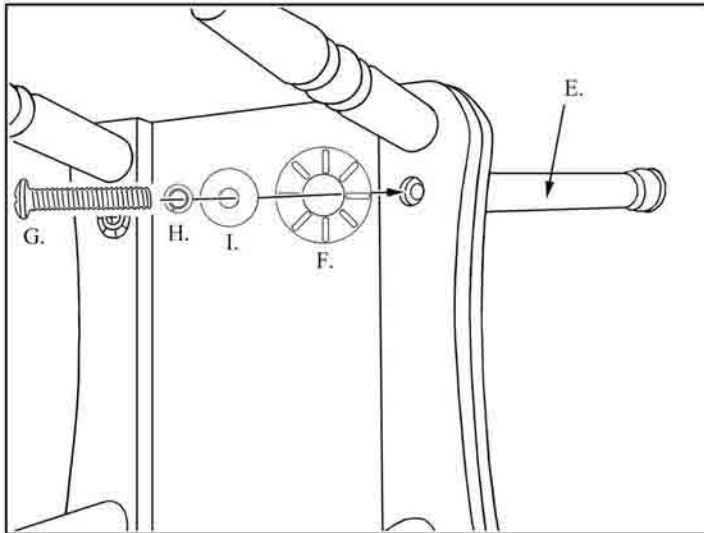
**Fig. 1 Attach chair legs (C) to chair seat (D)**

- Set the chair seat (D) upside down on a soft surface to avoid scratching.
- Thread each chair leg (C) directly into the hole on each corner of the chair seat.
- Tighten legs securely.



**Fig. 2 Attach chair back (E)**

- Turn chair seat assembly over with chair legs securely on the floor.
- Insert the chair back (E) posts into the chair seat assembly through the pre-drilled holes.
- Insert large machine screw (G) through the spring washer (H), medium washer (I) and large washer (F) as shown in fig. Then insert screw into the hole on the bottom of the chair seat.
- Secure screws with Philips head screwdriver until tight.
- Repeat process for both chairs.



Finally, please check that all parts are tightened securely but **do not overtighten**. Your Table and Chair Set should now be ready to use. Enjoy!

Please visit our website and discover all our other innovative and fun products for kids at:  
[www.levelsofdiscovery.com](http://www.levelsofdiscovery.com)

Table and Chair Set  
©2008 Levels of Discovery LLC  
Roselle, Illinois 60172

Made in China  
Printed in China