

# ASSEMBLY INSTRUCTIONS FOR YOUR SUGAR PLUM VANITY SET

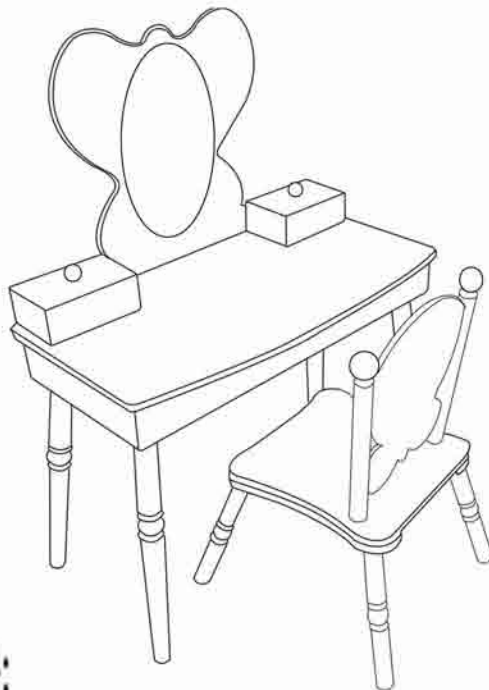
Thank you for your purchase of the Sugar Plum Vanity Set . We know that it will bring you and your little one years of enjoyment. **PLEASE READ ALL INSTRUCTIONS THOROUGHLY BEFORE BEGINNING ASSEMBLY.**

## General Safety Instructions:

- Your set is safety tested for 18~96 months.
- However, it is recommended that caution be used at all times.
- Chairs are recommended for children up to 100 lbs.

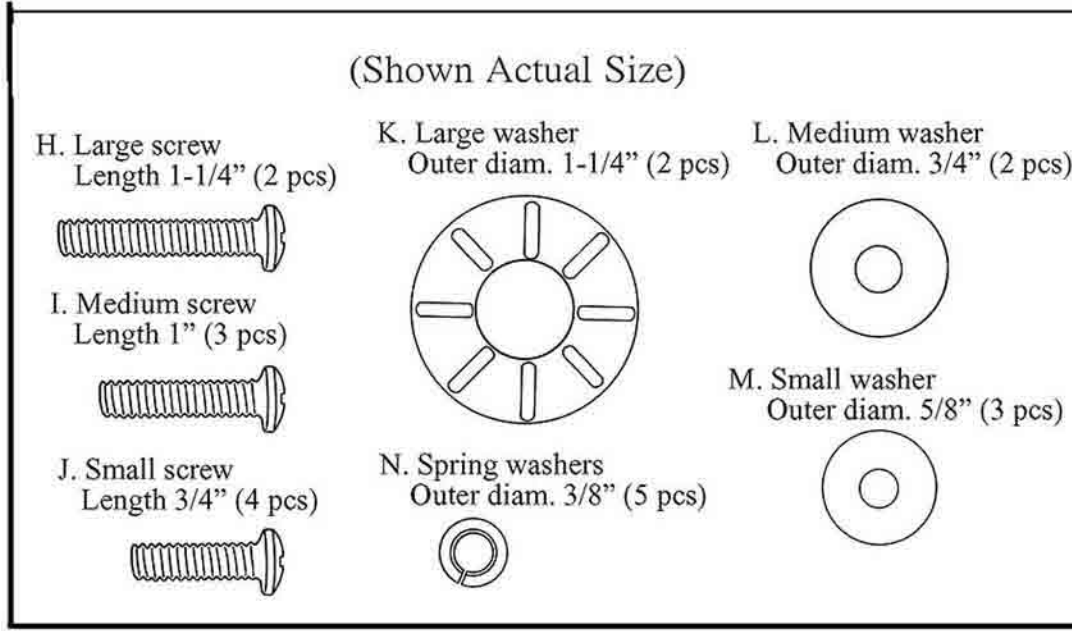
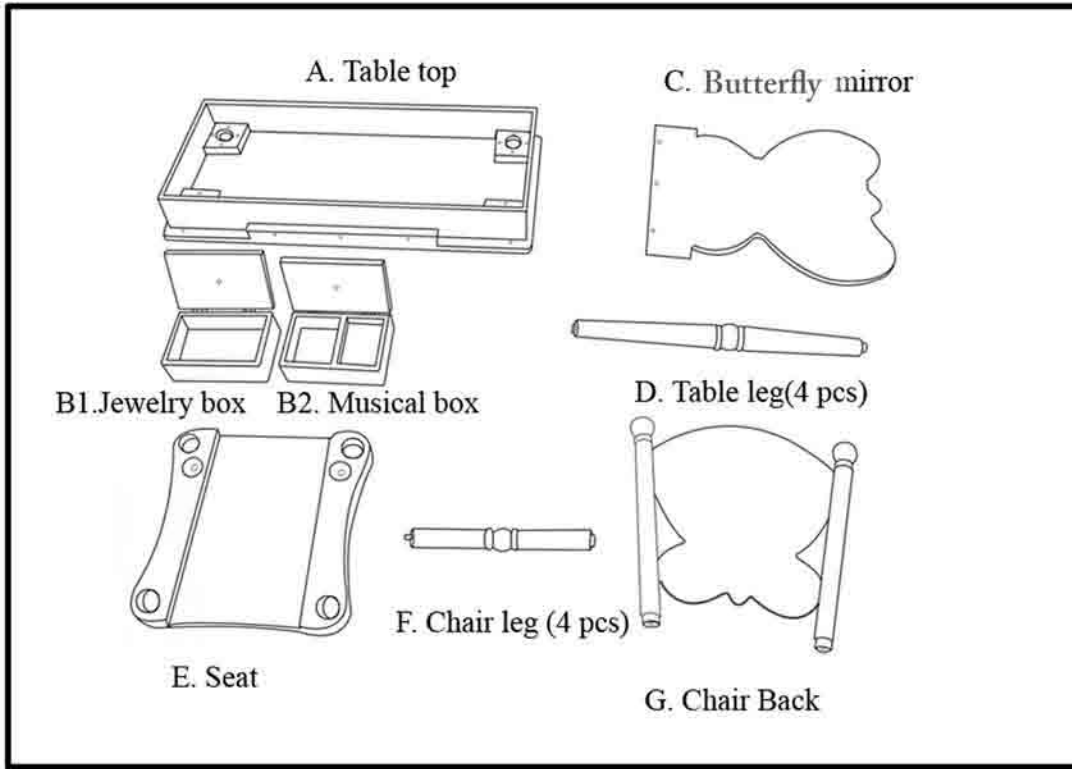
## What tools you will need?

- Standard Philips head screwdriver. CAUTION: It is highly recommended that you not use power tools or electric screwdrivers as screws should not be over-tightened. Power/electric tools may strip either the screw or the receiving end of the screw.



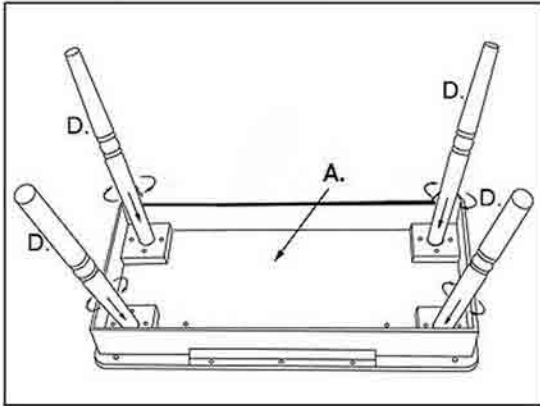
## **WARNING:**

Products shall be assembled by adult. Product contains sharp point, sharp edge and small parts before assembled.  
Keep out of child's reach when products unassembled.



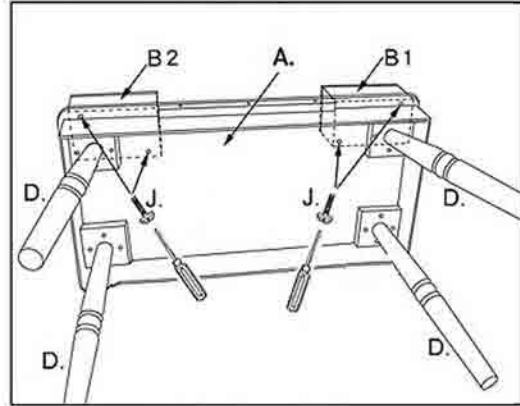
**Fig. 1 Attach Table legs (D) to Table top (A)**

- Set the Table top (A) upside down on a soft floor surface to avoid scratching.
- Insert each Table leg (D) into one of the four holes on the bottom of the table and screw in until secure.
- Make sure legs are secure but not overtightened.



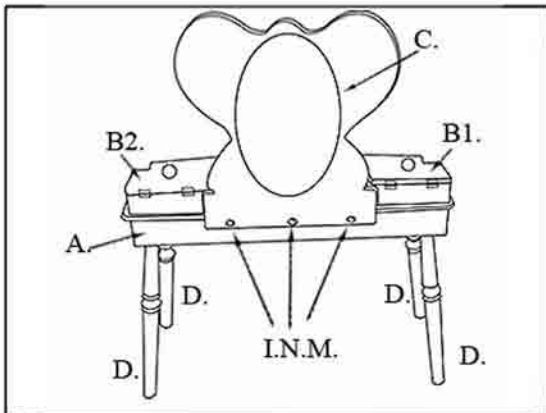
**Fig. 2 Attach Jewelry box (B1) and Musical box (B2) to Table top (A)**

- Position the pegs of the boxes (B1 & B2) on Table top (A) as shown in the Fig.
- Insert Small screws (J) into the holes under Table top (A) and secure them with Philips head screwdriver until tight.



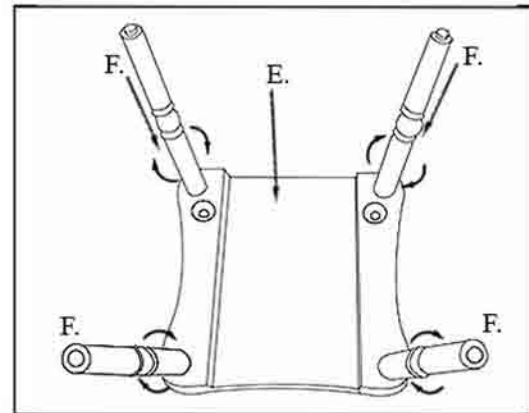
**Fig. 3 Attach Butterfly mirror (C) to Table top (A)**

- Position the mirror (C) to Table top (A)
- Insert Medium screw (I) through the Spring washer (N) and Small washer (M) as shown in fig. Then, screw them with Philips head screwdriver until tight.
- Please remove mirror and peel off protective coating before using.



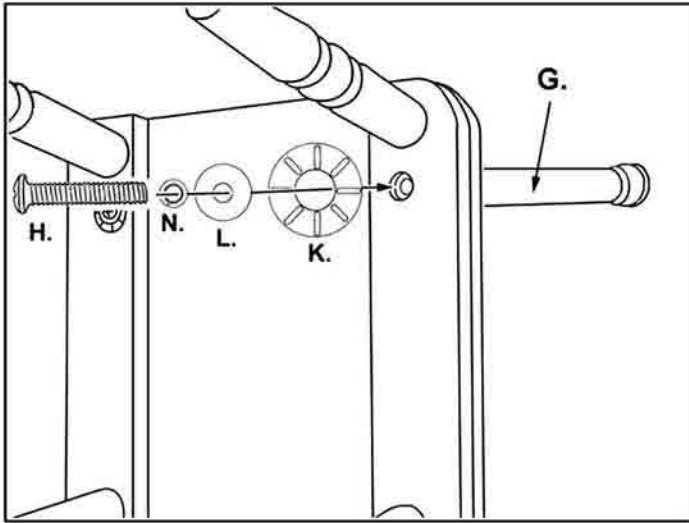
**Fig. 4 Attach Chair legs (F) to Seat (E)**

- Set the Seat (E) upside down on a soft surface to avoid scratching.
- Thread each Chair legs (F) directly into the hole on each corner of the Seat (E).
- Tighten Chair legs (F) securely.



**Fig. 5 Attach Chair Back (G)**

- Turn chair seat assembly over with chair legs securely on the floor.
- Insert the Chair Back (G) posts into the seat assembly through the pre-drilled holes.
- Insert Large screw (H) through the Spring washer (N) Medium washer (L), and Large washer (K) as shown in fig. Then, insert screw into the hole on the bottom of the chair seat.
- Secure screws with Philips head screwdriver until tight.



Finally, please check that all parts are tightened securely but **do not overtighten**. Your Sugar Plum Vanity Set should now be ready to use. Enjoy!

Please visit our website and discover all our other innovative and fun products for kids at:  
[www.levelsofdiscovery.com](http://www.levelsofdiscovery.com)

© 2008 Levels of Discovery LLC  
Roselle, Illinois 60172

Made in China  
Printed in China