

# ASSEMBLY INSTRUCTIONS FOR YOUR WILD SIDE BENCH SEAT W/STORAGE

Thank you for your purchase of the **WILD SIDE BENCH SEAT W/STORAGE**. We know that it will bring you and your little one years of enjoyment. **PLEASE READ ALL INSTRUCTONS THOROUGHLY BEFORE BEGINNING**

## **General Safety Instructions:**

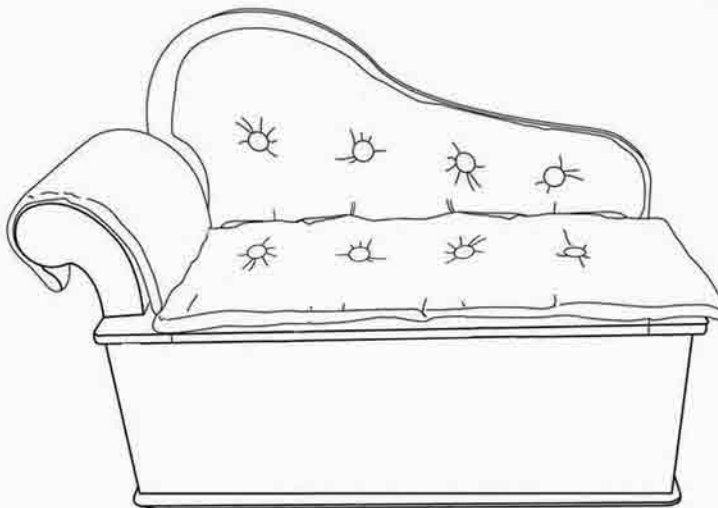
- Your Wild Side Bench Seat W/Storage is safety tested for all ages.
- However, it is recommended that caution be used at all times.
- Recommended for children up to 100lbs.
- Must be assembled by an adult. Do not leave any spare parts near children.
- Caution: Although a safety hinge is installed, be careful when opening and closing the lid to avoid injury

## **What tools you will need?**

- Standard Philips head screwdriver. **CAUTION:** it is highly recommended that you not use power tools or electric screwdrivers as screws should not be over-tightened. Power/electric tools may strip either the screw or the receiving end of the screw.

## **Care Instructions:**

- If there are fabric cushions on your Wild Side Bench Seat W/Storage, we strongly recommend that these only be dry-cleaned.



Note: In the directions, left and right refer to the side of the chair as if you were standing behind the bench.



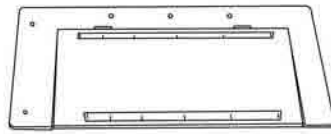
## **WARNING:**

Products shall be assembled by adult. Product contains sharp point, sharp edge and small Parts before assembled. Keep out of child's reach when Products unassembled.

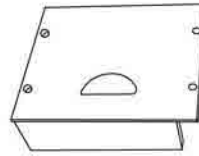
A. Headrest



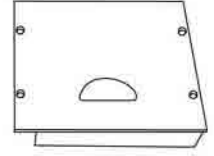
B. U-shaped board



C. Right side board



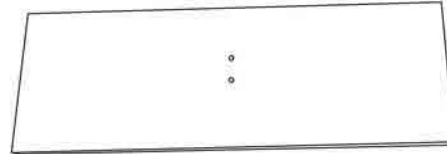
D. Left side board



E. Front board



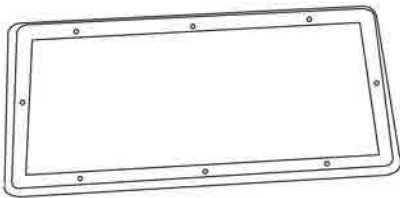
F. Back board



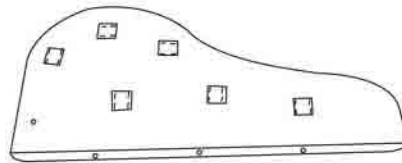
G. Safety hinge



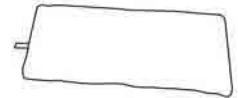
H. Bottom board



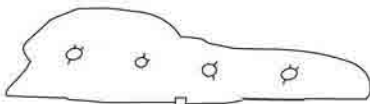
I. Seat back



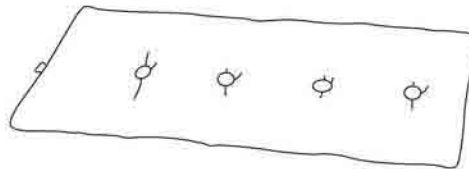
J. Head cushion



K. Back cushion

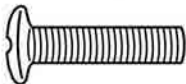


L. Seat cushion



(shown Actual Size)

N. 1" machine screw  
Length: 1" (26 pcs)



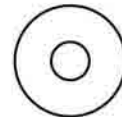
O. 3/4" machine screw  
Length: 3/4" (2 pcs)



P. 1/2" machine screw  
Length: 1/2" (2 pcs)



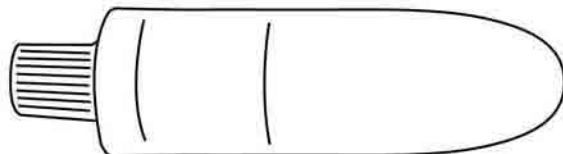
Q. Small washers  
Outside diameter: 5/8" (26 pcs)



R. Spring washers  
Outside diameter: 3/8" (26 pcs)

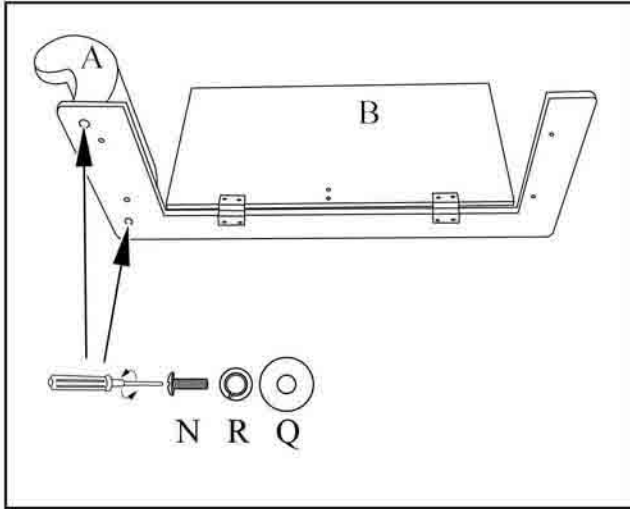


S. Wood glue (1pc)



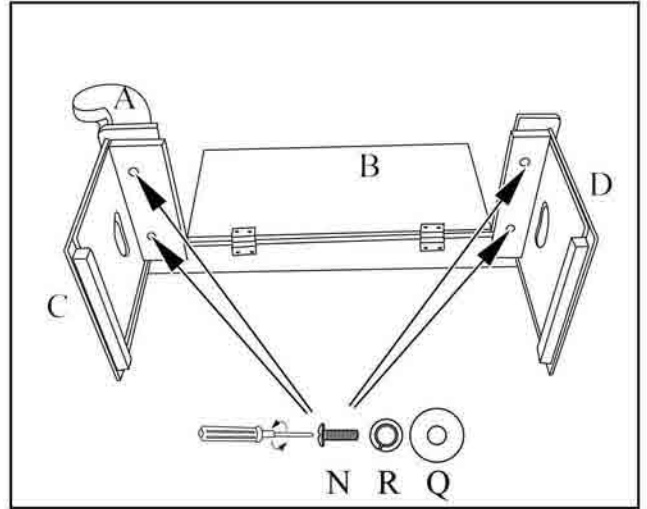
**Step 1:**

- Remove the Protective plastic strap from the U-shaped board (B)
- Apply Wood glue (S) to the connection areas of the Headrest (A) and the U-shaped board (B)
- Insert the front and back Screws (N) through the Washers (R, Q) into the holes in the Headrest (A) and the U-shaped board (B)
- Secure the screw with a Philips head screwdriver until tight



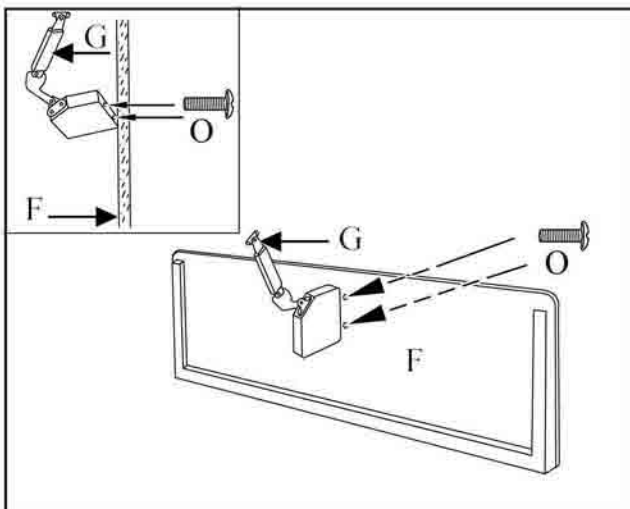
**Step 2:**

- Place the Right side board (C) next to the pre-drilled holes in the U-shaped board (B)
- Insert the Screw (N) through the Washers (R, Q) into the holes in the Right side board (C) and the U-shaped board (B)
- Secure the screw with a Philips head screwdriver until tight
- Repeat the above process to assemble the Left side board (D)



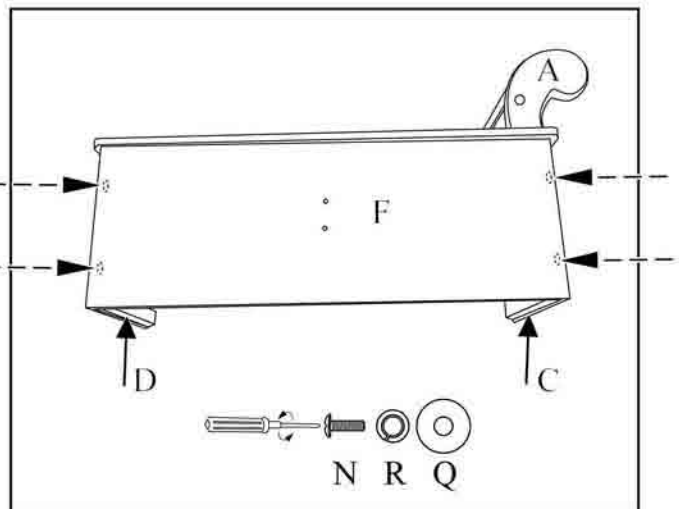
**Step 3:**

- Place the Safety hinge (G) next to the pre-drilled holes in the Back board (F)
- Insert the Screw (O) into the holes in the Safety hinge (G) and the Back board (F)
- Secure the screw with a Philips head screwdriver until tight



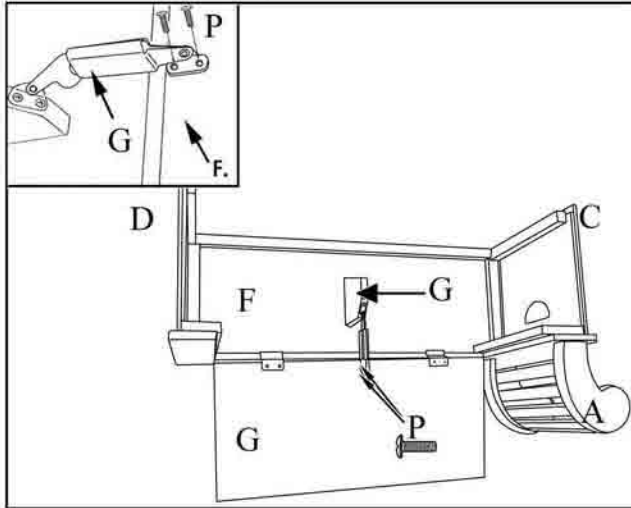
**Step 4:**

- Place the Back board (F) between the Right and Left side boards (C, D)
- Insert the Screws (N) through the Washers (R, Q) into the holes in the Back board (F) and the Right/Left side boards (C, D)
- Secure the screws with a Philips head screwdriver until tight

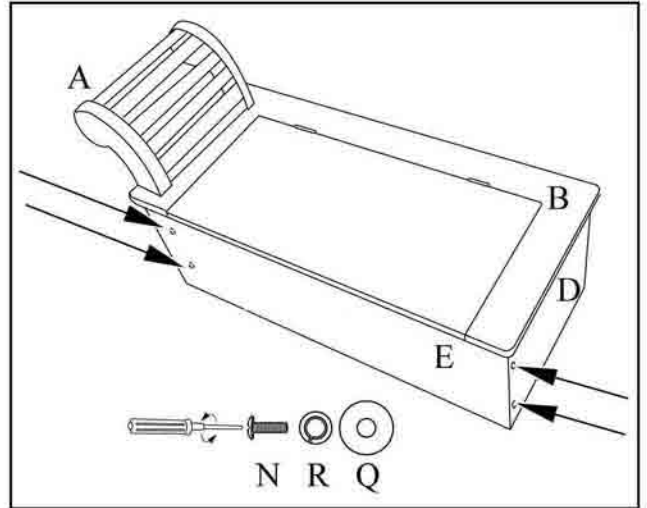


**Step 5:**

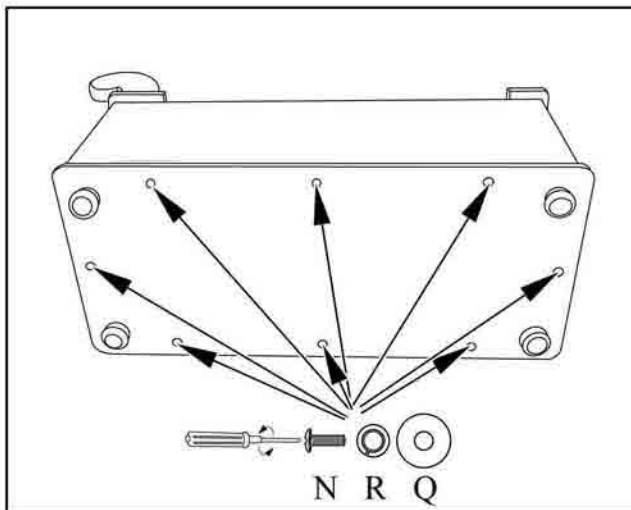
- Insert the screw (P) into the holes in the Safety hinge (G) and the U-shaped board (B)
  - Secure the screw with a Philips head screwdriver until tight
- 1.If the safety hinge(G) is not assembled, the lid will fall by itself and will cause danger to children.
  - 2.After the safety hinge(G) is assembled, the lid will not fall by itself when it is opened.

**Step 6:**

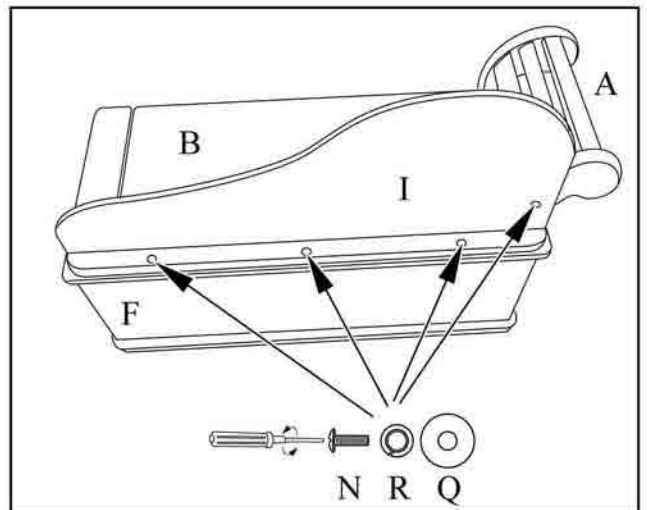
- Place the Front board (E) between the Right and Left side boards (C, D)
- Insert the screws (N) through the Washers (R, Q) into the holes in the Front side board (E) and the Right/ Left side boards (C, D)
- Secure the screws with a Philips head screwdriver until tight

**Step 7:**

- Place the Bottom board (H) under the entire product
- Insert the screws (N) through the Washers (R, Q) into the holes in the Bottom board (H) and the Right/ Left side boards (C, D) as well as the Front/ Back boards (E, F)
- Secure the screws with a Philips head screwdriver until tight

**Step 8:**

- Put the Seat back (I) on the U-shaped board (B)
- Insert the Screws (N) through the Washers (R, Q) into the holes in the Seat back (I) and the U-shaped board (B) as well as the Headrest (A)
- Secure the screws with a Philips head screwdriver until tight



Finally, please check that all parts are tightened securely but do not overtighten. Your A Star Is Born Toy Box Bench should now be ready to use. Enjoy!

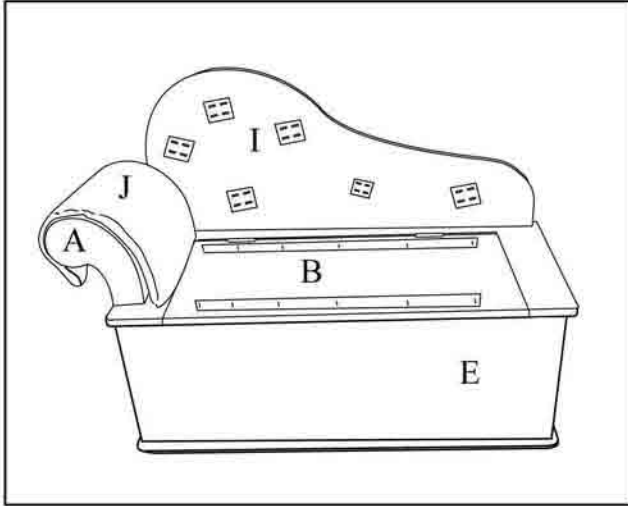
Please visit our website and discover all our other innovative and fun products for kids at:

**[www.levelsofdiscovery.com](http://www.levelsofdiscovery.com)**

Wild Side Bench Seat W/Storage  
 ©2009 Levels of Discovery LLC  
 Roselle, Illinois 60172  
 Made in China  
 Printed in China

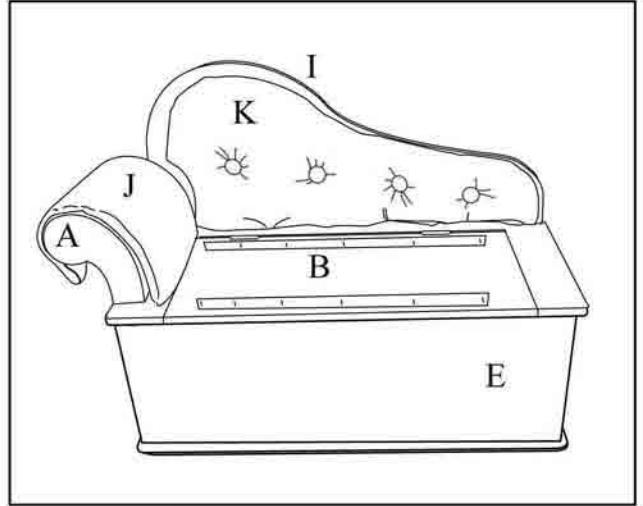
**Step 9:**

- Attach the Head cushion (J) to the Headrest (A)



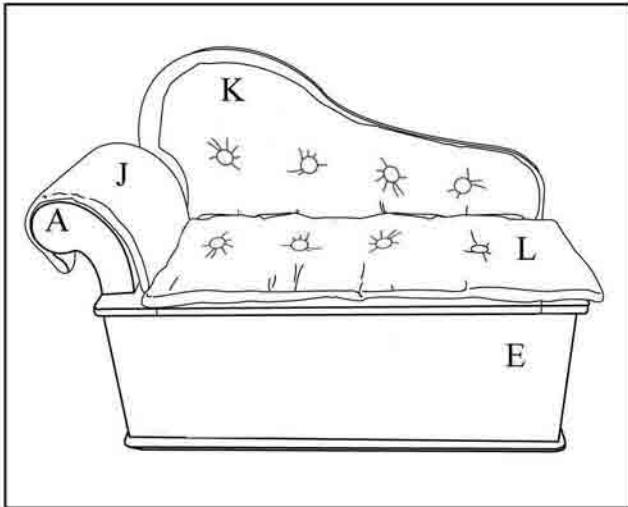
**Step 10:**

- Attach the Back cushion (K) to the Seat back (I)



**Step 11:**

- Attach the Seat cushion (L) to the U-shaped board (B)



Finally, please check that all parts are tightened securely but do not overtighten.

Your Wild Side Bench Seat W/Storage should now be ready to use. Enjoy!

Please visit our website and discover all our other innovative and fun products for kids at:

**[www.levelsofdiscovery.com](http://www.levelsofdiscovery.com)**

Wild Side Bench Seat W/Storage  
© 2009 Levels of Discovery LLC  
Roselle, Illinois 60172  
Made in China  
Printed in China