

ASSEMBLY INSTRUCTIONS FOR YOUR KIDDIE-UPS ROCKING HORSE

Thank you for your purchase of the Kiddie-ups Rocking Horse. We know that it will bring you and your little one years of enjoyment. **PLEASE READ ALL INSTRUCTIONS THOROUGHLY BEFORE BEGINNING ASSEMBLY.**

General Safety Instructions:

- Your Kiddie-ups Rocking Horse is safety tested for all ages
 - However, it is recommended that the rocking horse only be used by children below 100 pounds
 - Please do not let young children kneel or stand in the chair. It was designed for sitting and rocking
 - Please do not let young children "over-rock" the chair because it may tip over
- Must be assembled by an adult. Do not leave any spare parts near children.**

Personalizing the understamp:

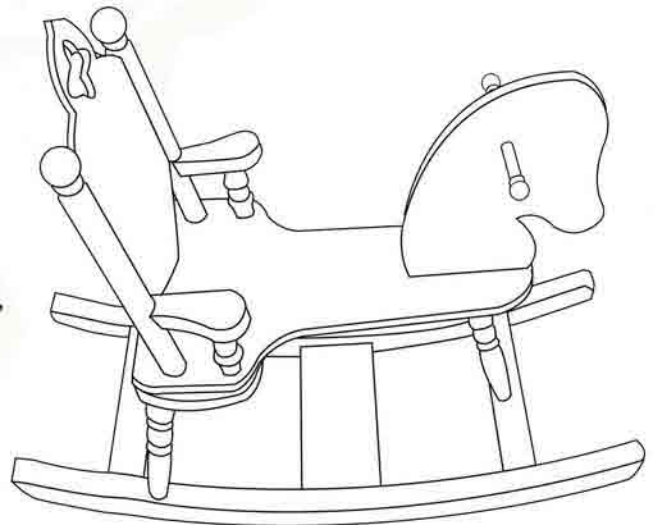
Each Kiddie-ups Rocking Horse has a special poem printed on the bottom of the Wooden seat. It is suggested that the three blank spaces for (1) the person who gave the chair, (2) the child's name and (3) the date it was given be filled in before the chair is assembled. You may write in either a permanent marker or use paint and a brush (not included.) This will become a treasured memory of your little one's "heirloom-to-be".

What tools will you need?

- Standard Philips head screwdriver

Care Instructions:

- If there are fabric cushions on your rocker, we strongly recommend that these only be dry-cleaned.

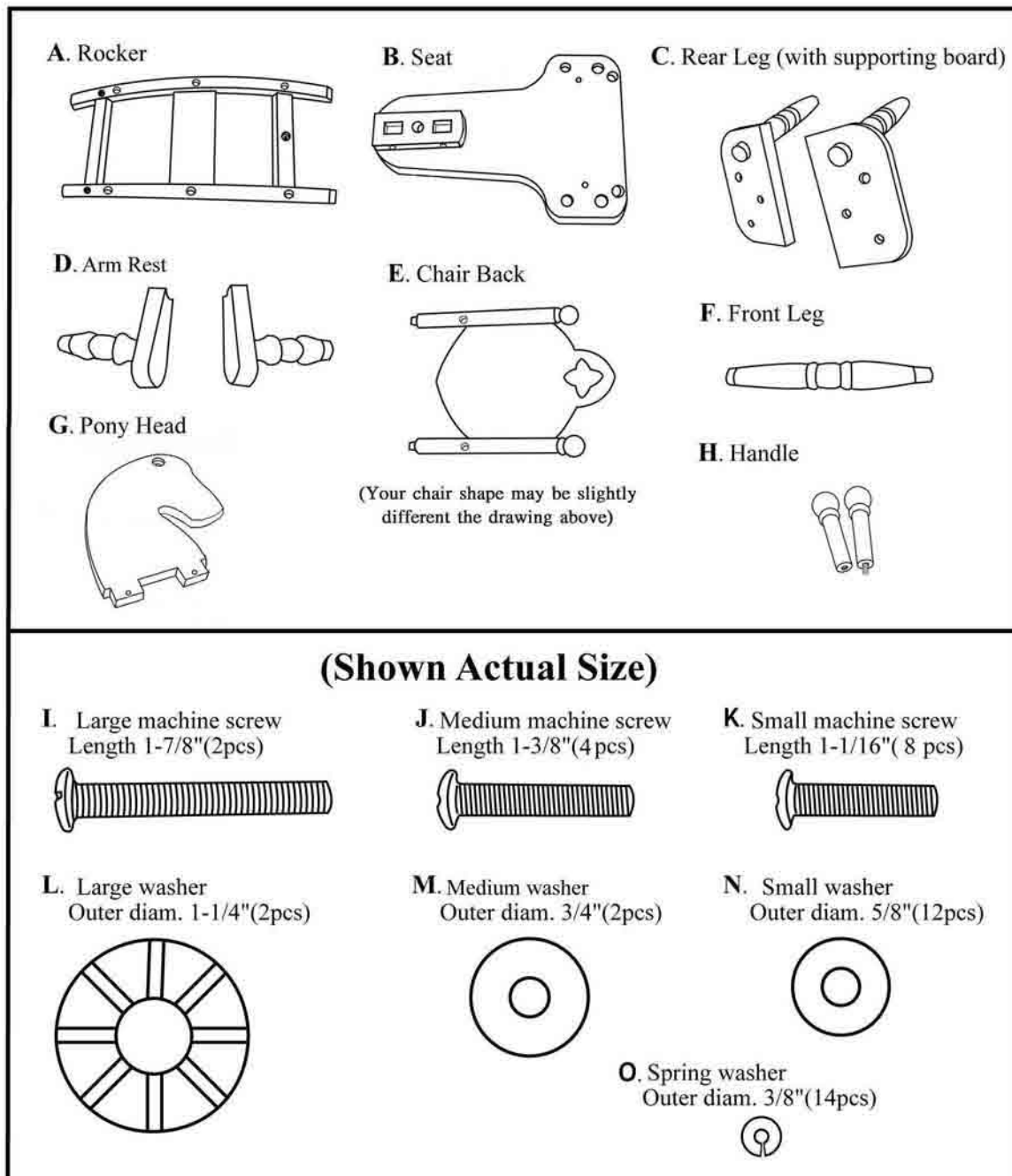


(Your chair shape may be slightly different the drawing above)



WARNING:

Products shall be assembled by adult. Product contains sharp point, sharp edge and small parts before assembled. Keep out of child's reach when products unassembled.



ASSEMBLY PROCEDURE

To save time, we suggest that you organize and pre-assemble in the sequence shown in the Fig. drawings all of the screws and their washers. (ie: for fig 2 put the N Small washer and O Spring washer onto the I Large machine screw. Do this in advance of each step.)

Fig. 1 Attach Chair Back (E) to Seat (B)

- Place Seat (B) level to ground.
- Insert Chair Back (E) vertically into the pre-drilled holes on Seat (B).

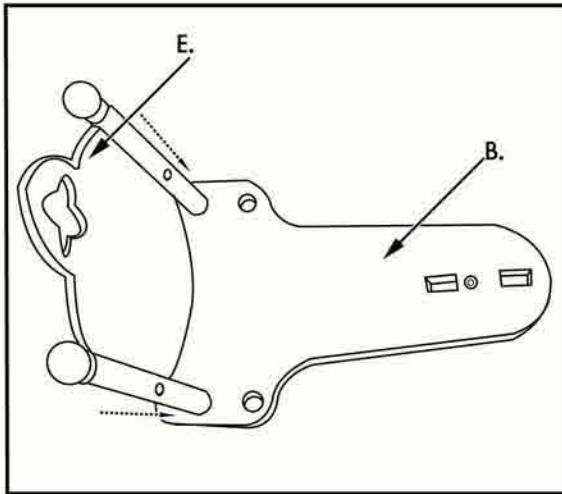


Fig. 2 Attach Arm Rests (D) to Chair Back (E)

- Insert Arm Rests (D) vertically into the pre-drilled holes on Seat (B).
- Align Arm Rests (D) to the pre-drilled holes on the chair back post (see Fig 2)
- Put Small washer (N), Spring washer (O), and Large machine screw (I) in sequence in the pre-drilled holes and screw them in until secure.

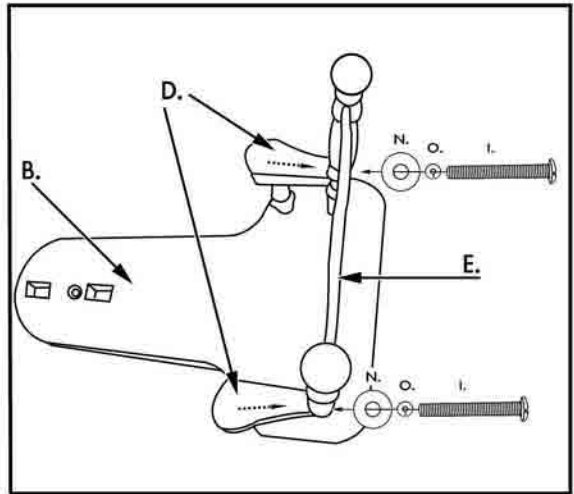


Fig. 3 Attach Rear Legs (C) to the bottom of the Seat (B)

- Turn assembled Fig 2 upside down and align Rear Leg (C) to the bottom of the seat (B)
- Put Large washer (L), Medium washer (M), Spring washer (O), and Medium machine screw (J) in sequence in the pre-drilled holes and screw them in until secure.
- Put 2 sets of Small washer (N), Spring washer (O), and Small machine screw (K) in sequence in the pre-drilled holes and screw them in until secure.

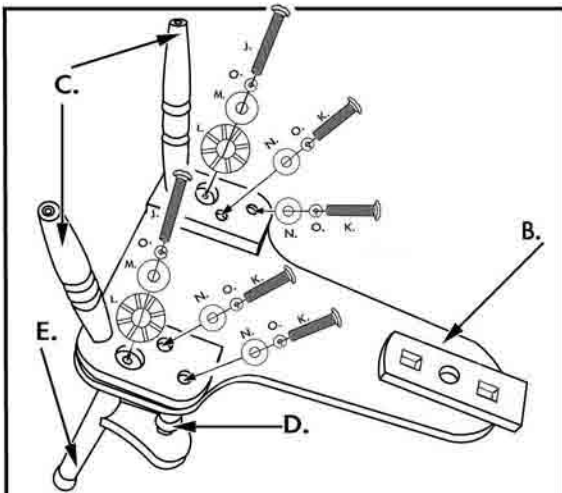


Fig. 4 Attach Front Leg (F) to the bottom of the Seat (B)

- Insert Front Leg (F) into the bottom of the Seat (B)

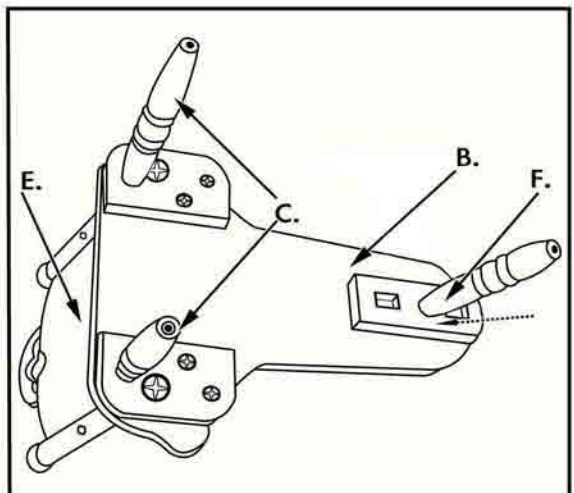


Fig. 5 Secure Front Leg (F) to the front of Seat (B)

- Put Small washer (N), Spring washer (O), and Small machine screw (K) in sequence in the pre-drilled holes and screw them in until secure.

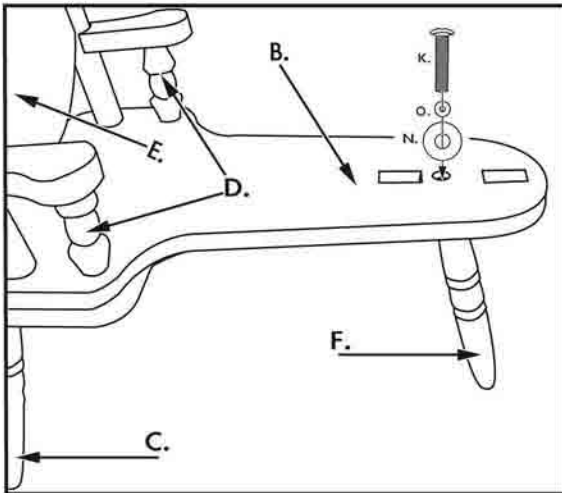


Fig. 6 Attach pony Head (G) to the front of Seat (B)

- Insert Pony Head (G) into the Pre-drilled hole of the front of Seat (B)

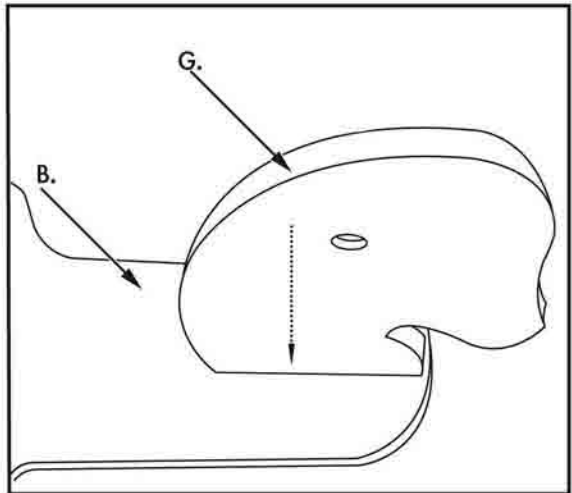


Fig. 7 Secure Pony Head (G) to Seat (B)

- Put 2 sets of Small washer (N), Spring washer (O), and medium machine screw (J) in sequence in the pre-drilled holes on the sides of Seat (B) and screw them in until secure.

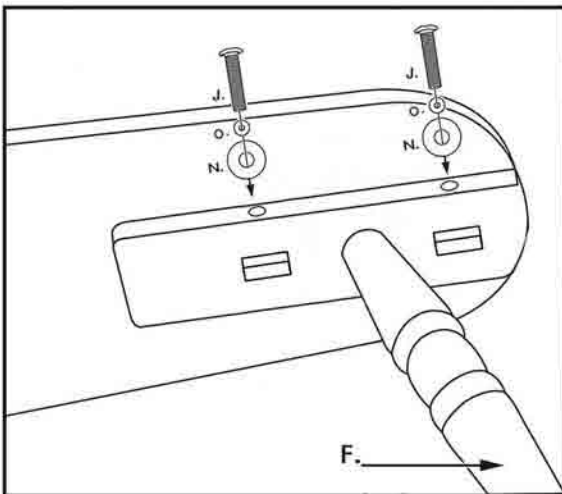


Fig. 8 Attach assembled Rear Legs (C) & Front Leg (F) to Rocker (A)

- Insert Rear Legs (C) & Front Leg (F) to Rocker (A).

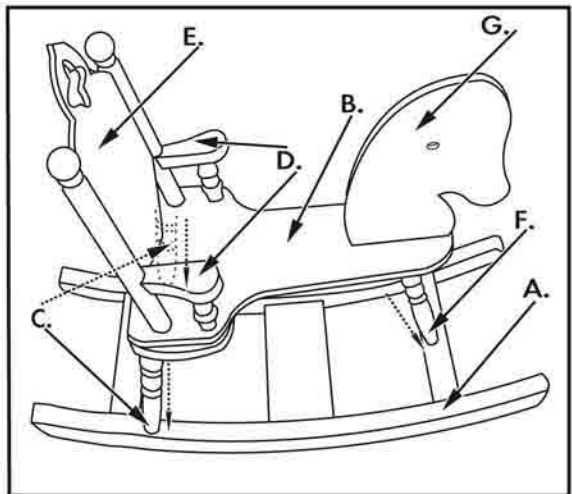


Fig. 9 Secure assembled Rear Legs (C) & Front Leg (F) to Rocker (A)

- Place Rocker (A) upside down.
- Put 3 sets of Small washer (N), Spring washer (O), and small machine screw (K) in sequene in the pre-drilled holes on rocker (A) and screw them in until secure.

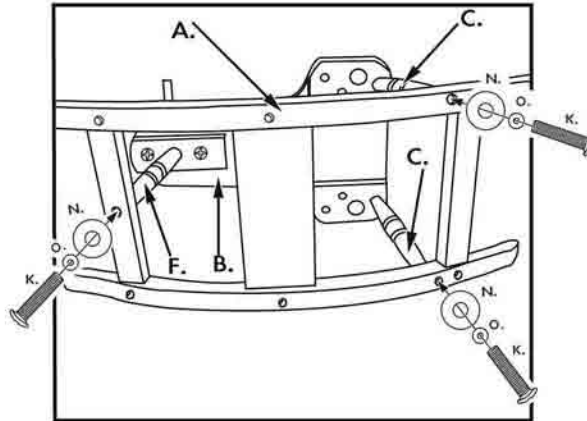
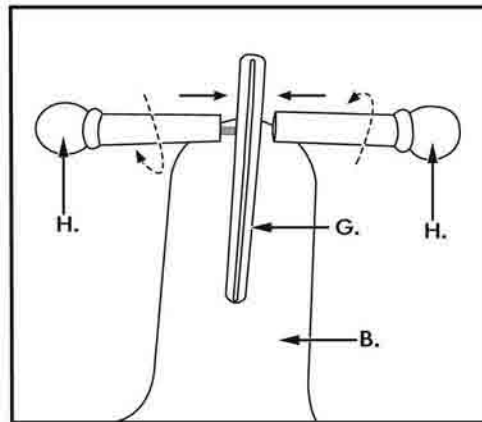


Fig. 10 Secure Handle (H) through the pre-drilled hole to Pony Head (G)



Finally, please check that all parts are tightened securely but **do not overtighten**.
Your **Rocking Horse** piece should now be ready to use. enjoy!

Please visit our website and discover all our
other innovative and fun products for kids at:
www.levelsofdiscovery.com
Kiddie-ups Rocking Horse
© 2003 Levels of Discovery LLC
Roselle, Illinois 60172

Made in China
Printed in China