

# ASSEMBLY INSTRUCTIONS

## FOR YOUR

### TABLE AND STOOL SET

Thank you for your purchase of the Table and Stool set . We know that it will bring you and your little one years of enjoyment. **PLEASE READ ALL INSTRUCTIONS THOROUGHLY BEFORE BEGINNING ASSEMBLY.**

#### General Safety Instructions:

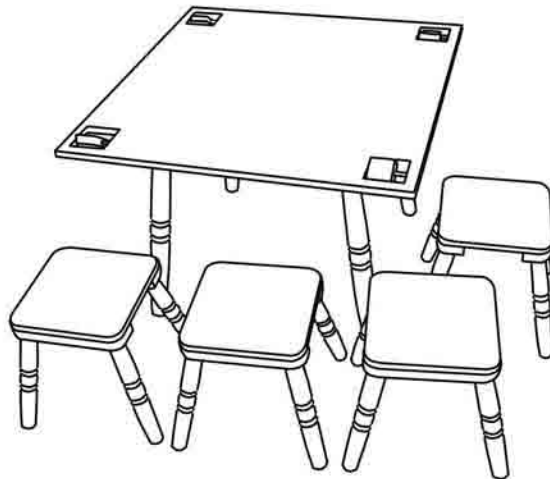
- Your table and stool set is safety tested (table for all ages, stools for 36~96 months).
- However, it is recommended that caution be used at all times.
- Stools are recommended for children up to 100 lbs.

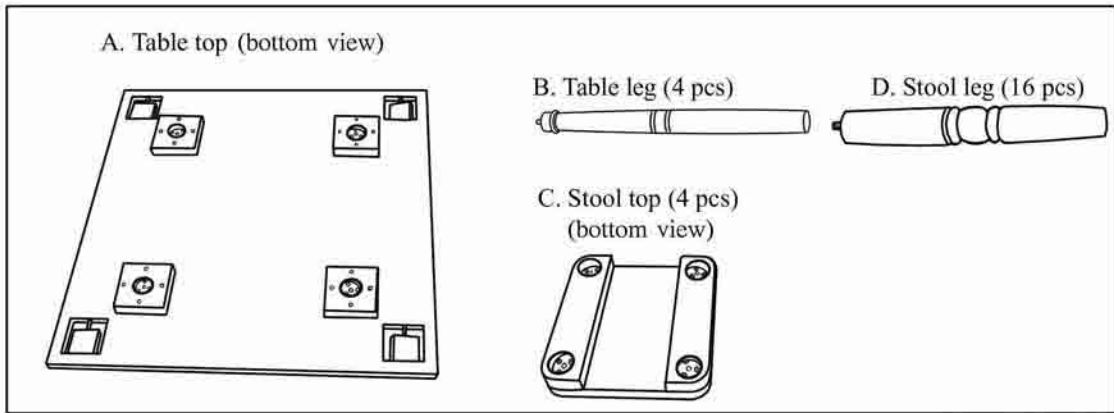
#### What tools you will need?

- Standard Philips head screwdriver. CAUTION: It is highly recommended that you not use power tools or electric screwdrivers as screws should not be over-tightened. Power/electric tools may strip either the screw or the receiving end of the screw.

#### **WARNING:**

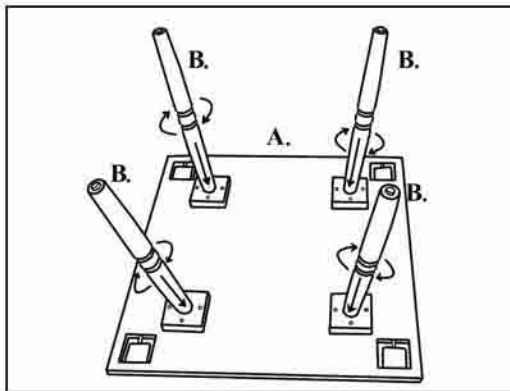
Products shall be assembled by adult. Product contains sharp point, sharp edge and small parts before assembled. Keep out of child's reach when products unassembled.





### TABLE ASSEMBLY

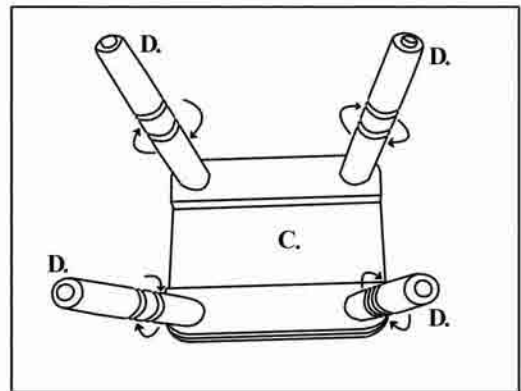
Fig. 1 Attach Table leg (B) to Table top (A)



- Set the table top (A) upside down on a soft floor surface to avoid scratching.
- Insert each table leg (B) into one of the four holes on the bottom of the table and screw in until secure.
- Make sure legs are secure but not overtightened.

### STOOL ASSEMBLY

Fig. 2 Attach Stool leg (D) to Stool top (C)



- Set the Stool top (C) upside down on a soft floor surface to avoid scratching.
- Insert each Stool leg (D) into one of the four holes on the bottom of the stool and screw in until secure.
- Make sure legs are secure but not overtightened.
- Repeat process for all four stools.

Finally, please check that all parts are tightened securely but **do not overtighten**.  
Your Table and Stool Set should now be ready to use. Enjoy!

Contact us at:  
[www.levelsofdiscovery.com](http://www.levelsofdiscovery.com)

Table and Stool Set  
© 2007 Levels of Discovery LLC  
Roselle, Illinois 60172

Made in China  
Printed in China

## Instructions for Alphabet Soup Game

**This game teaches letter, number and character recognition and matching while reinforcing the lesson of taking turns and being a good winner or loser.**

- Game is for 2 players
- The game consists of the tabletop game board, 2 game pieces and 1 dice

**Object of the game:** Roll the dice, and based on the image shown, move a game piece forward and backward across the board. The first player to land on the opponent's side WINS!!

To start the game:

- Player 1 sits on the "E is for Elephant" side of the table. Player 2 sits on the "B is for Bird" side of the table.
- Each player then places his/her game piece along the "E is for Elephant" or "B is for Bird" area on his/her side of the table.
- Player 1 rolls the dice and then moves his/her game piece along the "trail" to the image that matches the roll of the dice. Then Player 2 takes a turn and rolls the dice. Players take turns rolling the dice until one rolls his/her opponent's side ("Bb" is for Bird or "Ee is for Elephant).

