

# ASSEMBLY INSTRUCTIONS

## FOR YOUR

### WLLD WEST TABLE W/2 CHAIRS

Thank you for your purchase of the Table and Chair set. We know that it will bring you and your little one years of enjoyment. **PLEASE READ ALL INSTRUCTIONS THOROUGHLY BEFORE BEGINNING ASSEMBLY.**

#### General Safety Instructions:

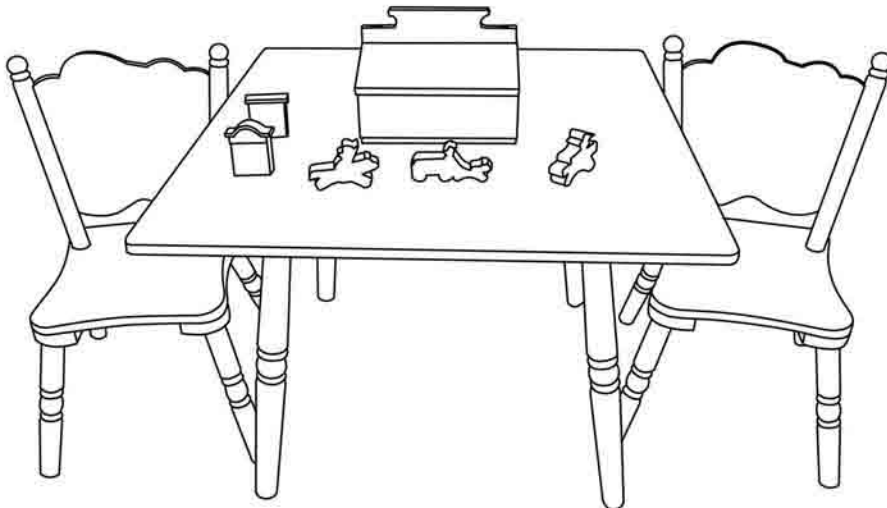
- Your table and chair set is safety tested for 18-96 months.
- However, it is recommended that caution be used at all times.
- Chairs are recommended for children up to 100lbs.

#### What tools you will need?

-Standard Philips head screwdriver. CAUTION: It is highly recommended that you not use power tools or electric screwdrivers as screws should not be over-tightened. Power/electric tools may strip either the screw or the receiving end of the screw.

#### Care Instructions:

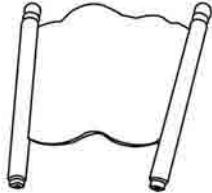
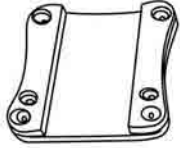
-If there are fabric cushions on your chairs, we strongly recommend that these only be dry-cleaned.



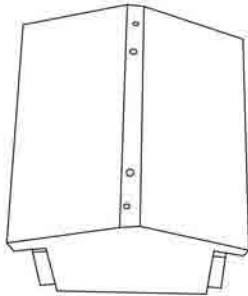
#### **WARNING:**

Products shall be assembled by adult. Product contains sharp point, sharp edge and small parts before assembled. Keep out of child's reach when products unassembled.

**D.Chair seat (2pcs)**

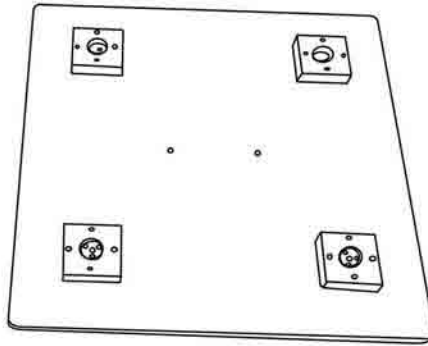


**F.Backrest (2pcs)**



**C1.Barn (1pc)**

**A.Table top (1pc)**



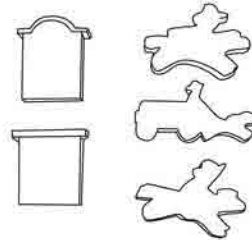
**B.Table legs (4pcs)**



**E.Chair legs (8pcs)**



**C2.Roof (1pc)**



**L.Toys (5pcs)**

**(Shown Actual Size)**

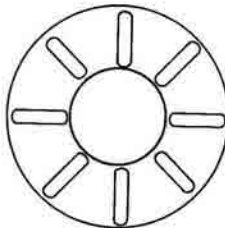
**G. Large Machine Screws**  
Length: 1-1/4" (4pcs)



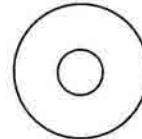
**H. Small Machine Screws**  
Length: 3/4" (4pcs)



**I. Large Washers**  
Outer diameter: 1-1/4" (4pcs)



**J. Medium Washers**  
Outer diameter: 3/4" (4pcs)



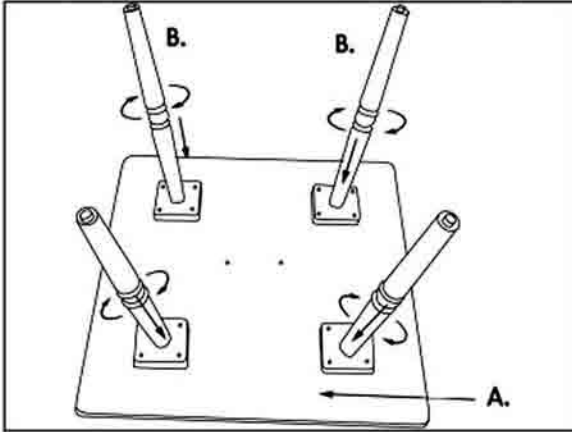
**K. Spring Washers**  
Outer diameter: 3/8" (4pcs)



## TABLE ASSEMBLY

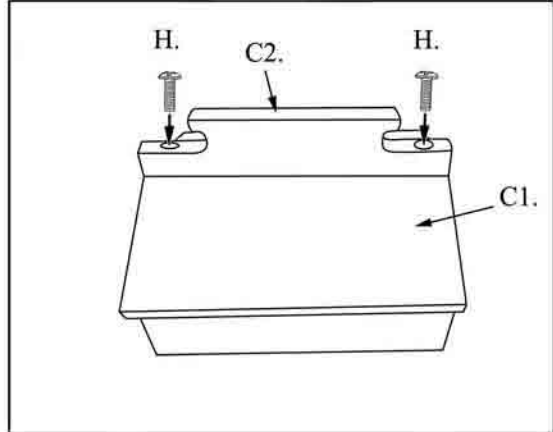
**Fig. 1 Attach table legs (B) to table top (A)**

- Set the table top (A) upside down on a soft floor surface to avoid scratching.
- Insert each table leg (B) into one of the four holes on the bottom of the table and screw in until secure.
- Make sure legs are secure but not overtightened.



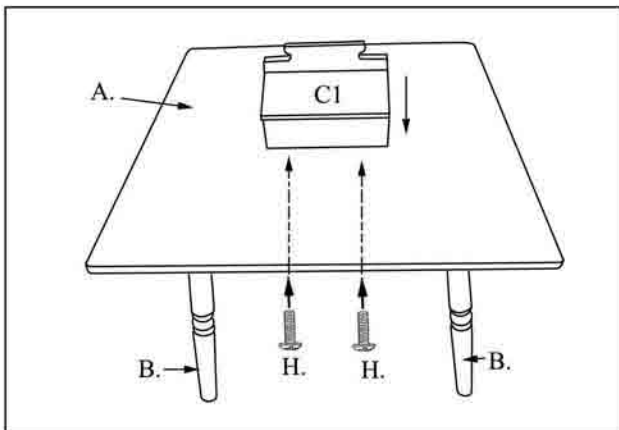
**Fig2: Assembly of the Barn(C1) and the Roof(C2)**

- Put the Barn(C1) on the ground
- Place the Roof(C2) on top of the Barn(C1)
- Insert screws (H) into the holes in the Roof(C2) and the Barn(C1)
- Secure the screws with Philips head screw driver until tight



**Fig3: Assembly of the Barn(C1) and the Table top(A)**

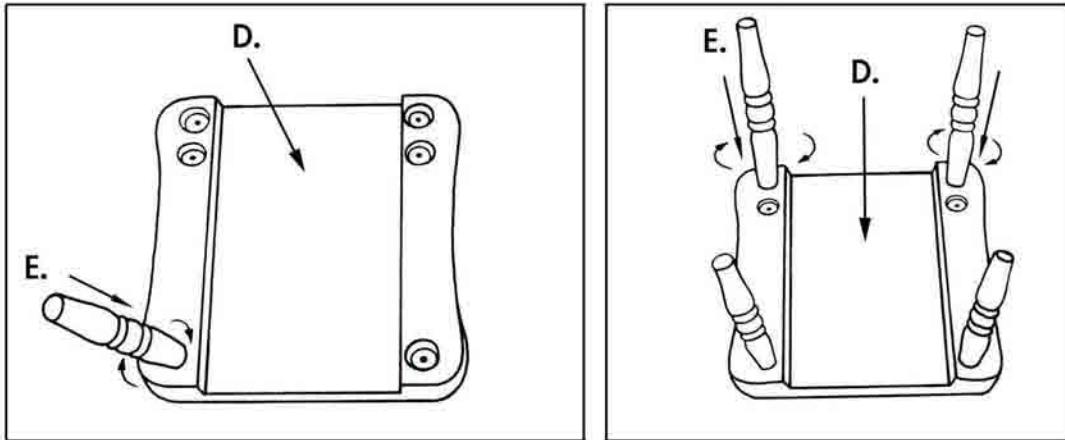
- Put the Barn(C1) in the slot on the Table top(A)
- Insert the screws(H) in the holes of the Table top (A) and the Barn(C1)
- Secure the screws with Philips head screw driver until tight



## CHAIR ASSEMBLY

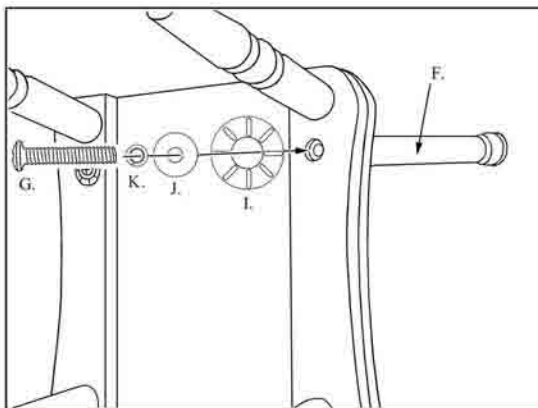
### Fig. 1 Attach chair legs (E) to chair seat (D)

- Set the chair seat (D) upside down on a soft surface to avoid scratching.
- Thread each chair leg (E) directly into the hole on each corner of the chair seat.
- Tighten legs securely.



### Fig. 2 Attach chair back (F)

- Turn chair seat assembly over with chair legs securely on the floor.
- Insert the chair back (F) posts into the chair seat assembly through the pre-drilled holes.
- Insert large machine screw (G) through the spring washer (K), medium washer (J) and large washer (I) as shown in fig. Then insert screw into the hole on the bottom of the chair seat.
- Secure screws with Philips head screwdriver until tight.
- Repeat process for both chairs.



Finally, please check that all parts are tightened securely but **do not overtighten**. Your Table and Chair Set should now be ready to use. Enjoy!

Please visit our website and discover all our other innovative and fun products for kids at:  
[www.levelsofdiscovery.com](http://www.levelsofdiscovery.com)

Table and Chair Set  
©2009 Levels of Discovery LLC  
Roselle, Illinois 60172

Made in China  
Printed in China