

# ASSEMBLY INSTRUCTIONS

## FOR YOUR

### WILD WEST REVOLVING BOOKCASE

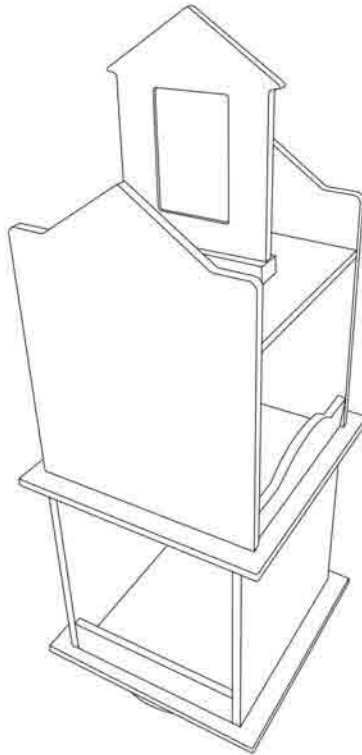
Thank you for your purchase of the Wild West Revolving Bookcase. We know that it will bring you and your little one years of enjoyment. **PLEASE READ ALL INSTRUCTIONS THOROUGHLY BEFORE BEGINNING ASSEMBLY.**

#### General Safety Instructions:

- Your Wild West Revolving Bookcase is safety tested for all ages
- However, it is recommended that caution be used at all times.
- Recommended weight capacity for this bookcase is up to 50 lbs.
- Must be assembled by an adult. Do not leave any spare parts near children.**

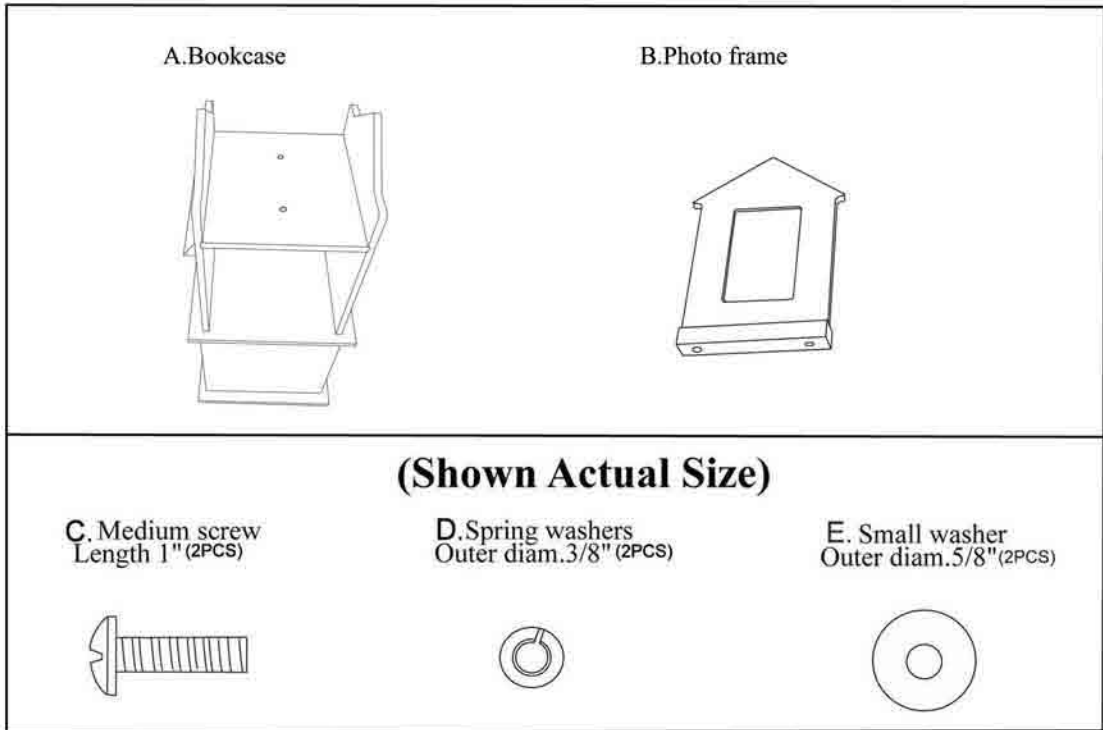
#### What tools will you need?

- Standard Philips head screwdriver. CAUTION: It is highly recommended that you not use power tools or electric screwdrivers as screws should not be over-tightened. Power/electric tools may strip either the screw or the receiving end of the screw.



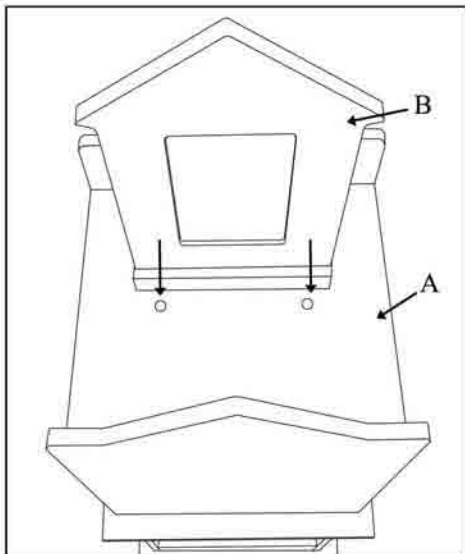
#### **WARNING:**

Products shall be assembled by adult. Product contains sharp point, sharp edge and small parts before assembled. Keep out of child s reach when products unassembled.



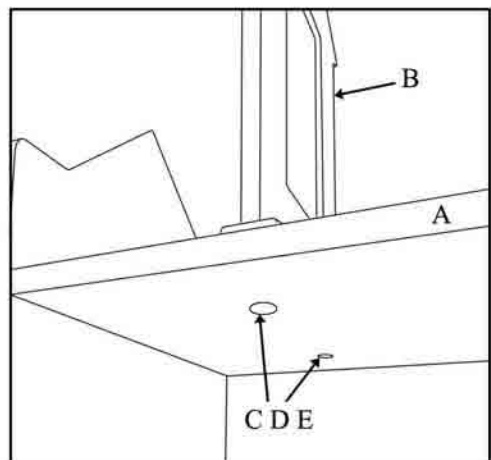
**Fig.1 Attach photo frame (B) to Revolving bookcase (A)**

-Align the photo frame with the holes on the revolving bookcase



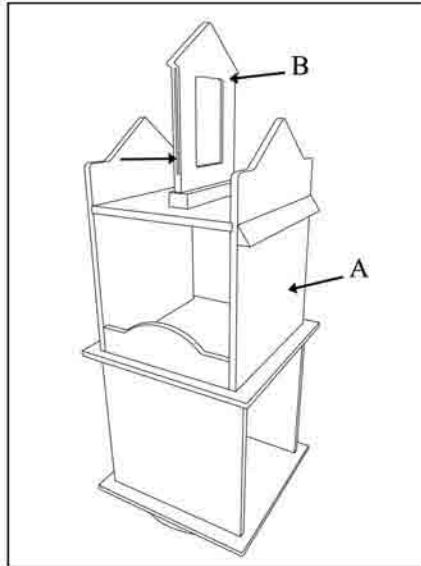
**Fig.2 Attach photo frame (B) to Revolving bookcase (A)**

-Insert screw (C) through the Spring washer (D) and washer (E) in the holes on the revolving bookcase and photo frame  
-Secure the screw (C) with a Philips head screw driver until tight



**Fig.3 Insert photo**

-Insert photo from one side of the photo frame (B)



Finally, please check that all parts are tightened securely but **do not overtighten**.  
Your Wild West Revolving Bookcase should now be ready to use. Enjoy!

Please visit our website and discover all our  
other innovative and fun products for kids at:  
[www.levelsofdiscovery.com](http://www.levelsofdiscovery.com)

Wild West Revolving Bookcase

© 2009 Levels of Discovery LLC  
Roselle, Illinois 60172  
Made in China  
Printed in China