

ASSEMBLY INSTRUCTIONS

FOR YOUR ROCK A BUDDIES® CHAIR

Thank you for your purchase of the Rock A Buddies® Rocking Chair. We know that it will bring you and your little one years of enjoyment. **PLEASE READ ALL INSTRUCTIONS THOROUGHLY BEFORE BEGINNING ASSEMBLY.**

General Safety Instructions:

- Your Rock A Buddies chair is safety tested for all ages
 - However, it is recommended that the chair only be used by children below 100 pounds
 - Please do not let young children kneel or stand in the chair. It was designed for sitting and rocking
 - Please do not let young children "over-rock" the chair because it may tip over
- Must be assembled by an adult. Do not leave any spare parts near children.**

Personalizing the understamp:

Each Rock A Buddies rocker has a special poem printed on the bottom of the Wooden seat. It is suggested that the three blank spaces for (1) the person who gave the chair, (2) the child's name and (3) the date it was given be filled in before the chair is assembled. You may write in either a permanent marker or use paint and a brush (not included.) This will become a treasured memory of your little one's "heirloom-to-be".

What tools will you need?

- Standard Philips head screwdriver

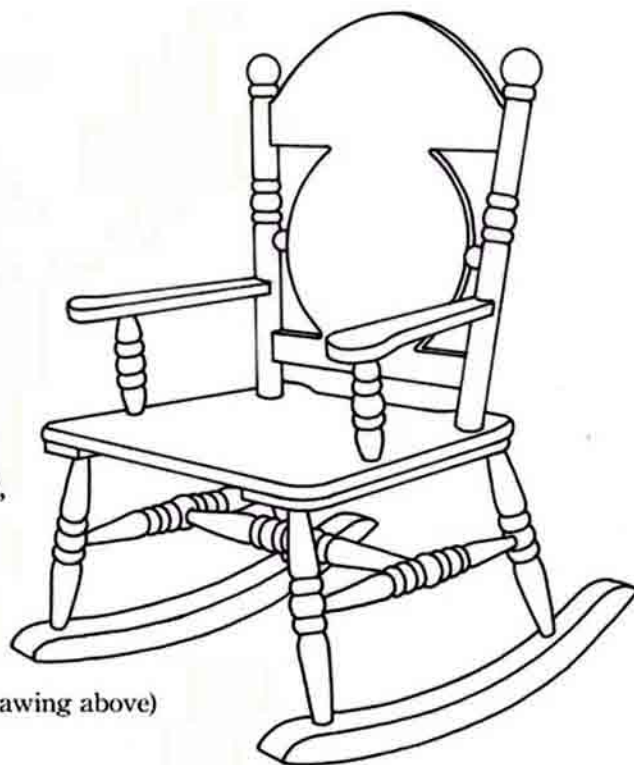
Important Note for chairs with timers:

- If there is a timer on your rocker, please wind the timer in the direction of the arrow only. Winding the wrong direction will result in damage to the timer.

Care Instructions:

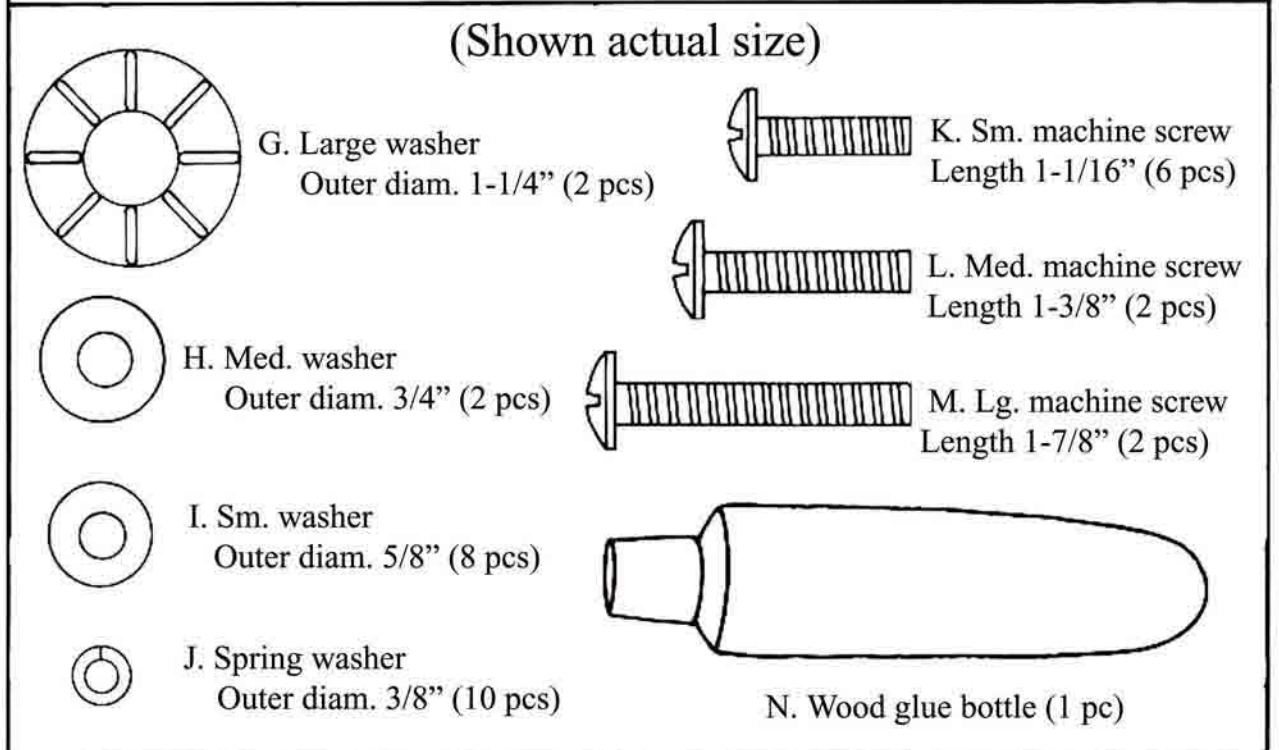
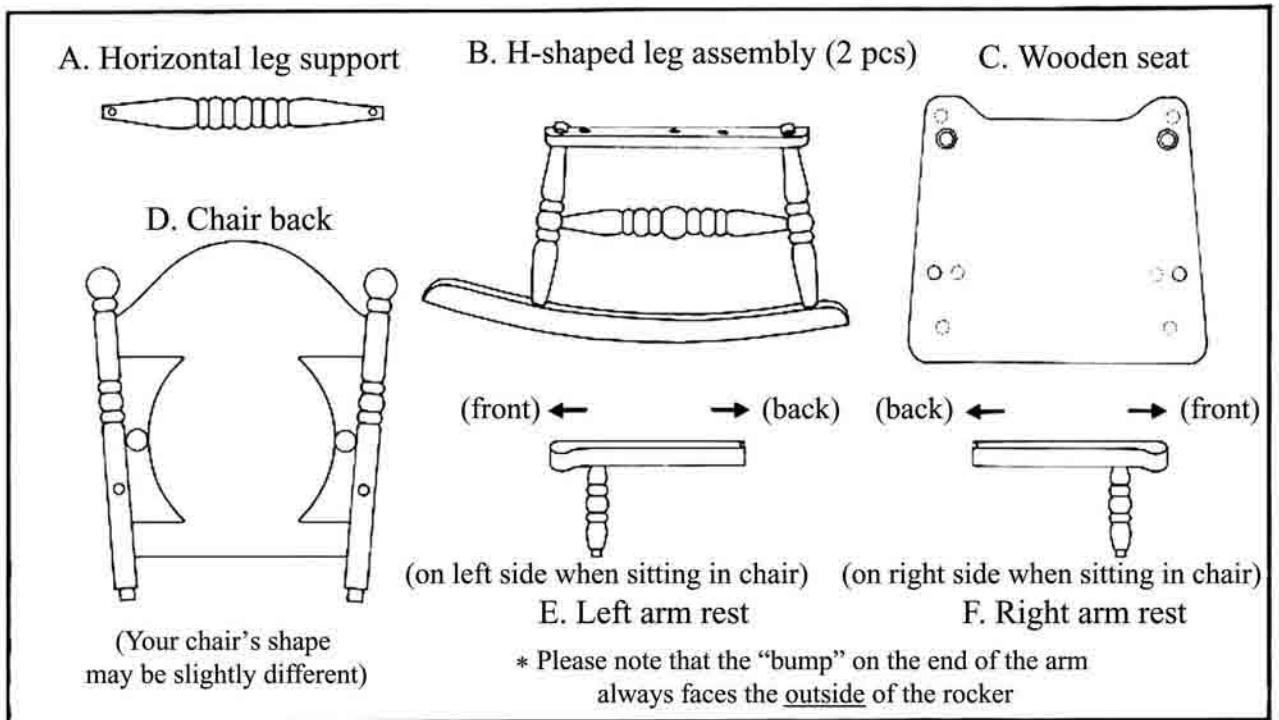
- If there are fabric cushions on your rocker, we strongly recommend that these only be dry-cleaned.

(Your chair shape may be slightly different the drawing above)



WARNING:

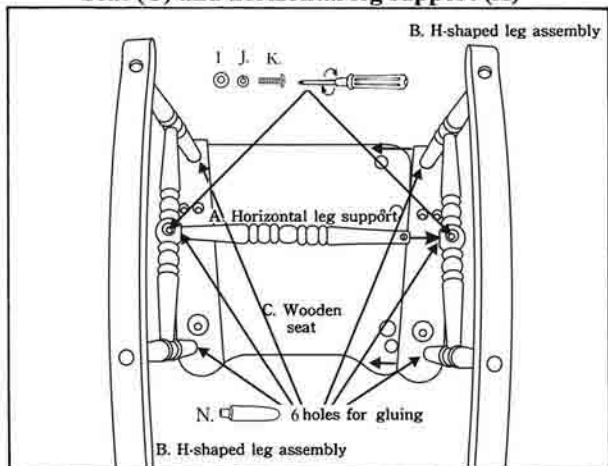
Products shall be assembled by adult. Product contains sharp point, sharp edge and small parts before assembled. Keep out of child's reach when products unassembled.



ASSEMBLY PROCEDURE

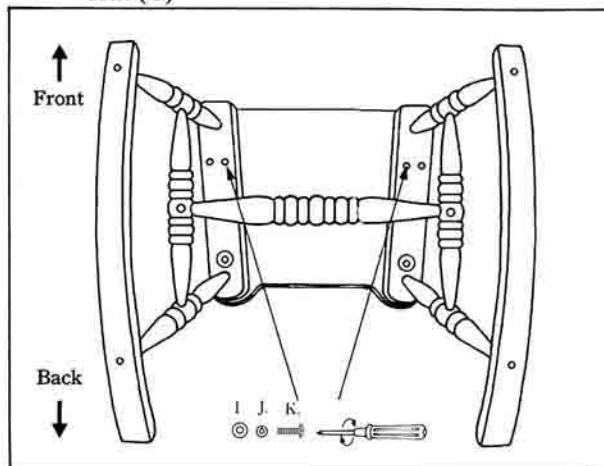
1. Prior to assembling each wooden part, liberally apply the Wood glue from the supplied bottle (N) to both wooden parts. After assembly (and before glue dries) wipe off any excess glue. While not absolutely necessary, the glue will add additional strength to each joint and is recommended.
2. To save time, we suggest that you organize and pre-assemble in the sequence shown in the Fig. drawings all of the screws and their washers. (ie: for Fig 1 put the J Spring washer and I Small washer onto the K screw. Do this in advance of each step.)

Fig. 1 Attach H-shaped leg assemblies (B) to Wooden Seat (C) and horizontal leg support (A)



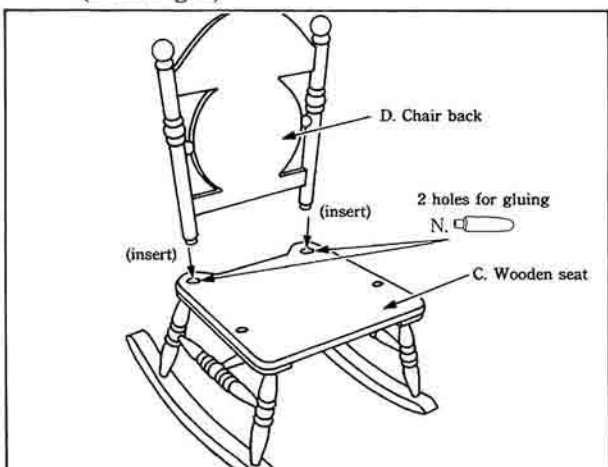
- Set Wooden seat (C) upside down on soft flat surface.
- Apply glue (N) on all holes shown in drawing above
- Align one side of H-shaped leg assembly (B) to the pre-drilled holes and pegs of seat and snap into place
- Insert one end of horizontal leg support (A) into the large ball of (B) and insert small machine screw (K) through spring washer (J) and small washer (I) and tighten until secure. **DO NOT OVERTIGHTEN**
- Align the other H-shaped leg assembly (B) to the pre-drilled holes and pegs of the seat (C) and the other side of the horizontal leg support and snap into place
- Insert small machine screw (K) through spring washer (J) and small washer (I) and tighten until secure. **DO NOT OVERTIGHTEN**

Fig. 2 Secure leg assemblies (from Fig. 1) to Wooden seat (C)



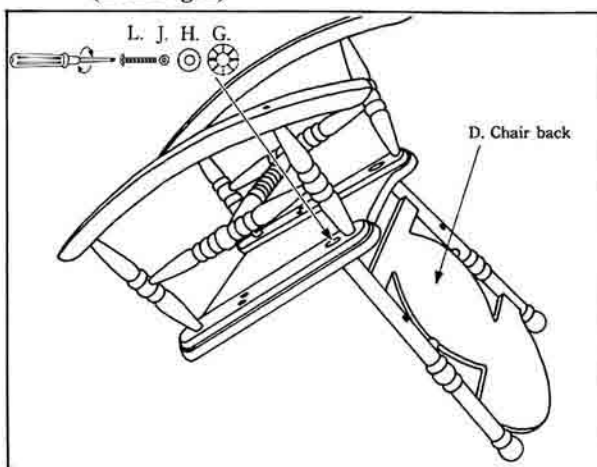
- Insert Small machine screw (K) through Spring washer (J) and Small washer (I) into pre-drilled hole per Fig. 2
- Secure screw with Philips head screwdriver until tight
- Repeat process for both sides of leg assembly

Fig. 3 Attach Chair back (D) to Seat assembly (from Fig. 2)



- Apply glue (N) on the ends of Chair back (D) posts
- Turn Seat assembly over with Wooden seat facing up
- Align Chair back (D) posts into holes at back of Chair and push into place

Fig. 4 Secure the Chair back (D) to seat assembly (from Fig. 2)



- Rock chair onto its front to gain access to bottom of seat assembly
- Insert Medium machine screw (L) through spring washer (J), Medium washer (H) and Large washer (G) (Note: Must be inserted in sequence to be effective. See Fig.4 drawing for detail)
- Insert screw and washer assembly into pre-drilled holes under Seat assembly
- DO NOT TIGHTEN SCREW COMPLETELY UNTIL THE COMPLETION OF FIG. 6. FOR NOW JUST LOOSELY SCREW THE ASSEMBLY INTO PLACE.**
- Repeat process for both sides of seat assembly

Fig. 5 Attach Arm rests (E,F) to Chair back (D)

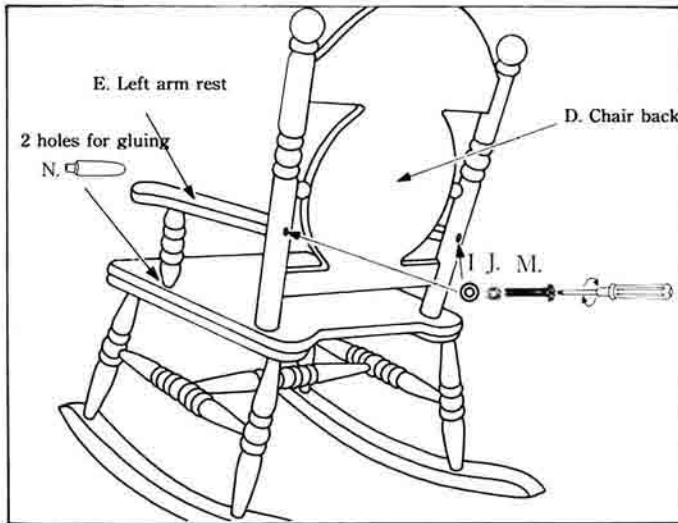
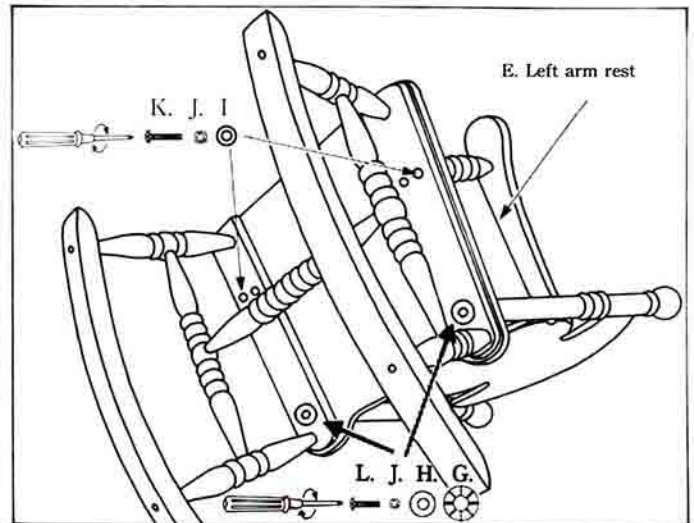


Fig. 6 Attach Arm rest (E,F) to Seat assembly (from Fig. 2)



- Apply glue (N) on Seat and Chair arm rests
- Insert Left arm rest (E) into pre-drilled hole on Seat (C).
NOTE: EACH ARM IS LABELED LEFT AND RIGHT, PLEASE MAKE SURE YOU ARE PUTTING THE CORRECT ARM ON EACH SIDE. LEFT MEANS (ON THE LEFT IF YOU ARE SITTING IN THE CHAIR) THE PRE-DRILLED HOLES ON THE CHAIR BACK ARE ALSO LABELED LEFT AND RIGHT. MAKE SURE THE LEFT ARM GOES ON LEFT BACK SIDE OR THE ARMS WILL NOT FIT PROPERLY AND COULD CRACK WHEN TIGHTENED. AFTER ASSEMBLY THE ENDS OF EACH OF THE ARMS SHOULD FLARE OUT FROM THE CHAIR, NOT INWARDS.
- Align Left arm rest (E) with pre-drilled and pre-labeled hole on Chair back.
- Insert Large machine screw (M), Spring washer (J) and Small washer (I) into pre-drilled hole on reverse of Chair back (D)
- Secure Screw with Philips head screwdriver until tight
- Repeat process for Right arm rest (F)

- Insert Small machine screw (K), Spring washer (J) and Small washer (I) to pre-drilled hole on bottom of seat assembly (See. Fig. 6)
- Repeat process for Right arm rest (F)
- At this time, you can now secure the back onto the seat by tightening the Medium machine screw (L) assembly from Fig. 4

Finally, please check that all screws are tightened securely. **Do not overtighten.** Your Rock A Buddies should be ready to use! Enjoy!

Please visit our website and discover all our other innovative and fun products for kids at:

www.levelsofdiscovery.com

Rock A Buddies®

©Levels of Discovery LLC

Roselle, Illinois 60172

Made in China

Printed in China